



LOAD CELL ISOLATED TRANSMITTER

**S4-LD
SERIES**



FEATURES

- Accuracy: $\pm 0.1\%$ R.O.
- Wide input and output range selection
- Steady voltage, current and low ripple output
- Plug-in type

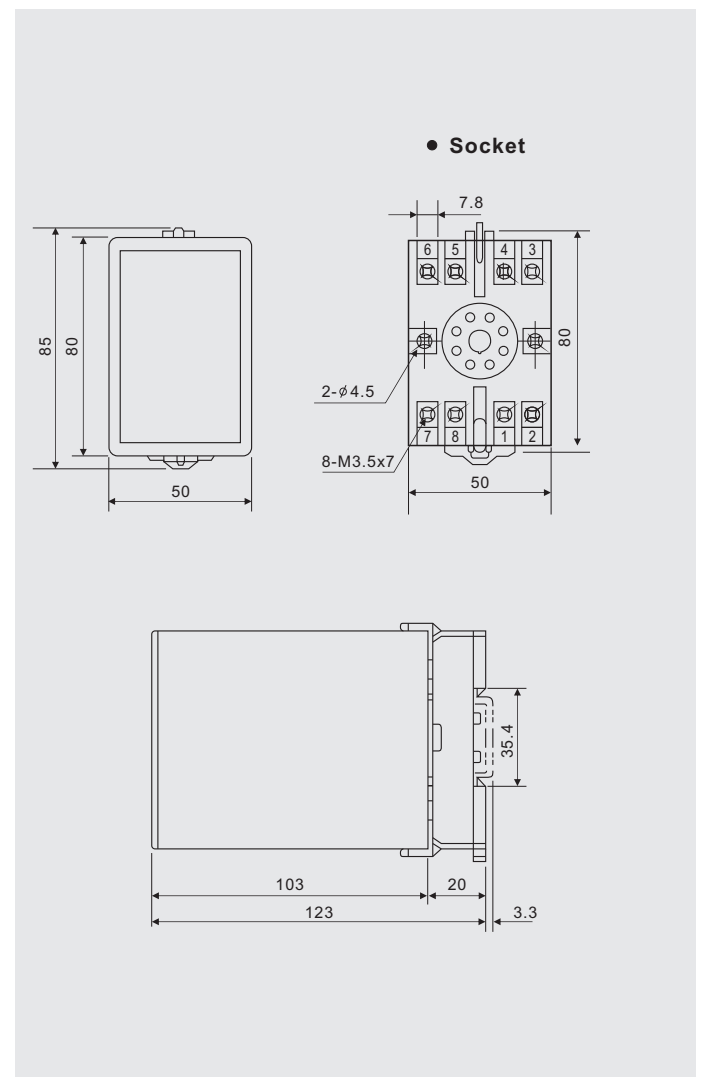
■ **MODEL: S4 - LD -** [] - [] - []

NO.	Input Range	NO.	DC Output Range	Load R.	NO.	Power Supply	Exciting
A	2mV/V	1	0 ~ 1V	$\cong 500\Omega$	1	AC 110V	Standard: DC 10V 35mA
B	3mV/V	2	0 ~ 5V	$\cong 500\Omega$	2	AC 220V	Maximun: DC 15V
O	Option	3	0 ~ 10V	$\cong 500\Omega$	3	DC 110V	
		4	1 ~ 5V	$\cong 500\Omega$	4	DC 48V	
		5	0 ~ 1mA	$\cong 10K\Omega$	5	DC 24V	
		6	0 ~ 10mA	$\cong 1.5K\Omega$	0	Option	
		7	0 ~ 20mA	$\cong 750\Omega$			
		8	4 ~ 20mA	$\cong 750\Omega$			
		0	Option				

■ SPECIFICATION

Accuracy: $\pm 0.1\%$ R.O.
 Power supply: AC 110 V $\pm 15\%$, 50/60HZ
 AC 220 V $\pm 15\%$, 50/60HZ
 DC 24V, 48V, 110V $\pm 10\%$
 Power consumption: AC $\leq 5VA$, DC $\leq 3W$
 Span adjustment: 50~100%(Option:20~100%)
 Zero adjustment: 0~50%(Option:0~80%)
 Excitation adjustment: 2~10V
 Response time: ≤ 400 msec
 Output ripple: $\leq 0.5\%$ R.O.(peak-peak)
 Span adjustment range: $\cong \pm 20\%$ R.O.
 Zero adjustment range: $\cong \pm 10\%$ R.O.
 Operating temperature rang: 0 ~ 60 °C
 Storage temperature rang: -10 ~ 70 °C
 temperature rang coefficient: $\leq 150PPM/^\circ C$
 Max. relative humidity: 95%
 Isolation: Input/Output/Power/Case
 Insulation resistance: $\geq 100M\Omega$, DC 500 V
 Dielectric strength: Input/Output/Powe AC1.8KV/minute
 All terminal/Case AC1.8KV/minute
 Impulse withstand test: 3KV, 1.2 x 50 μs
 Common mode & Differential mode

■ DIMENSIONS (UNIT : mm)



■ CONNECTION DIAGRAM

