



# CURRENT LOOP SUPPLY (ISOLATION)

## S4-DT SERIES



### FEATURES

- Accuracy:  $\pm 0.1\%$  R.O.
- Steady voltage, current and low ripple output
- Plug-in type
- DC 24V for two wire transmitter

■ **MODEL: S4 - DT - I** — —

**INPUT : DC 4-20 mA**

NO.	DC Output Range	Load R.	NO.	Power Supply
10	0 ~ 100mV	$\cong 100K\Omega$	1	AC 110V
11	0 ~ 1V	$\cong 500\Omega$	2	AC 220V
12	0 ~ 5V	$\cong 500\Omega$	3	DC 110V
13	0 ~ 10V	$\cong 500\Omega$	4	DC 48V
14	1 ~ 5V	$\cong 500\Omega$	5	DC 24V
15	-10 ~ 10V	$\cong 5K\Omega$	0	Option
16	0 ~ 1mA	$\cong 10K\Omega$		
17	0 ~ 10mA	$\cong 1.5K\Omega$		
18	0 ~ 20mA	$\cong 750\Omega$		
19	4 ~ 20mA	$\cong 750\Omega$		
20	20 ~ 4mA	$\cong 750\Omega$		
00	Option			

### SPECIFICATION

Accuracy .....  $\pm 0.1\%$  R.O.

Power supply ..... AC 110 V  $\pm 15\%$  , 50/60HZ  
 AC 220 V  $\pm 15\%$  , 50/60HZ  
 DC 24V,48V,110V  $\pm 10\%$

Power consumption ..... AC  $\cong 5VA$ , DC  $\cong 3W$

Input resistance .....  $\cong 50\Omega$  (20mA)

Short circuit protection current limited ..... 40 mA Maximum

Protected time duration ..... No limited

Response time .....  $\cong 400$  msec

Output ripple .....  $\cong 0.5\%$  R.O. (peak-peak)

Span adjustment range .....  $\cong \pm 10\%$  R.O.

Zero adjustment range .....  $\cong \pm 5\%$  R.O.

Operating temperature rang ..... 0 ~ 60°C

Storage temperature rang ..... -10 ~ 70°C

temperature rang coefficient .....  $\cong 150PPM/\text{°C}$

Max. relative humidity ..... 95%

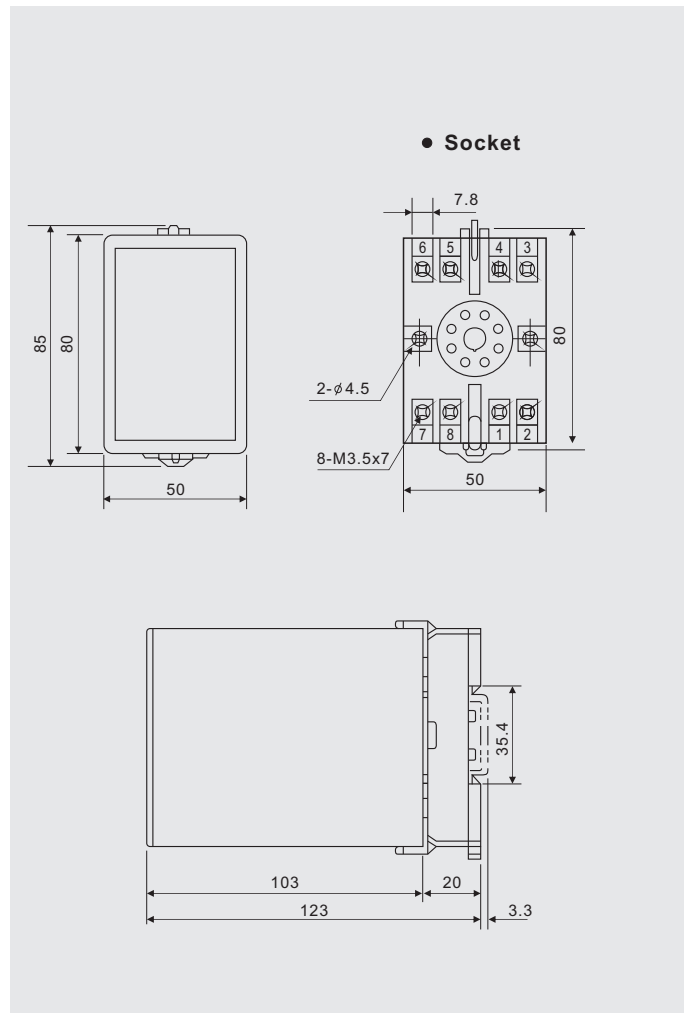
Isolation ..... Input/Output/Power/Case

Insulation resistance .....  $\cong 100M\Omega$ , DC 500 V

Dielectric strength ..... Input/Output/Power AC1.8KV/minute  
 All terminal/Case AC1.8KV/minute

Impulse withstand test ..... 3KV, 1.2 x 50  $\mu$ s  
 Common mode & Differential mode

### DIMENSIONS (UNIT : mm)



### CONNECTION DIAGRAM

