



FEATURES

- Accuracy: ± 0.1% R.O.
- Wide input and output range selection
- Steady voltage, current and low ripple output
- Plug-in type

MODEL: S4 - DT - [ ] - [ ] - [ ] - [ F ]

NO.	DC Input Range	NO.	DC Output Range	Load R.	NO.	Power Supply
V1	0 ~ 10mV	10	0 ~ 100mV	≧ 100KΩ	1	AC 110V
V2	0 ~ 100mV	11	0 ~ 1V	≧ 500Ω	2	AC 220V
V3	0 ~ 1V	12	0 ~ 5V	≧ 500Ω	3	DC 110V
V4	0 ~ 5V	13	0 ~ 10V	≧ 500Ω	4	DC 48V
V5	1 ~ 5V	14	1 ~ 5V	≧ 500Ω	5	DC 24V
V6	0 ~ 10V	15	-10 ~ 10V	≧ 5KΩ	0	Option
V7	-10 ~ 10V	16	0 ~ 1mA	≧ 10KΩ		
V8	0 ~ 100V	17	0 ~ 10mA	≧ 1.5KΩ		
A1	0 ~ 1mA	18	0 ~ 20mA	≧ 750Ω		
A2	0 ~ 10mA	19	4 ~ 20mA	≧ 750Ω		
A3	0 ~ 20mA	20	20 ~ 4mA	≧ 750Ω		
A4	4 ~ 20mA	00	Option			
00	Option					

SPECIFICATION

Accuracy ..... ± 0.1% R.O.

Power supply ..... AC 110 V ± 15% , 50/60HZ  
AC 220 V ± 15% , 50/60HZ  
DC 24V,48V,110V ± 10%

Power consumption ..... AC ≦ 5VA, DC ≦ 3W

Input resistance ..... ≧ 100KΩ(mV)  
≧ 1MΩ(V)  
≧ 50Ω(20mA)

Response time ..... ≦ 500 μsec

Output ripple ..... ≦ 0.5% R.O.(peak-peak)

Span adjustment range ..... ≧ ±20% R.O.

Zero adjustment range ..... ≧ ±10% R.O.

Operating temperature rang ..... 0 ~ 60°C

Storage temperature rang ..... -10 ~ 70°C

temperature rang coefficient ..... ≦ 150PPM/°C

Max. relative humidity ..... 95%

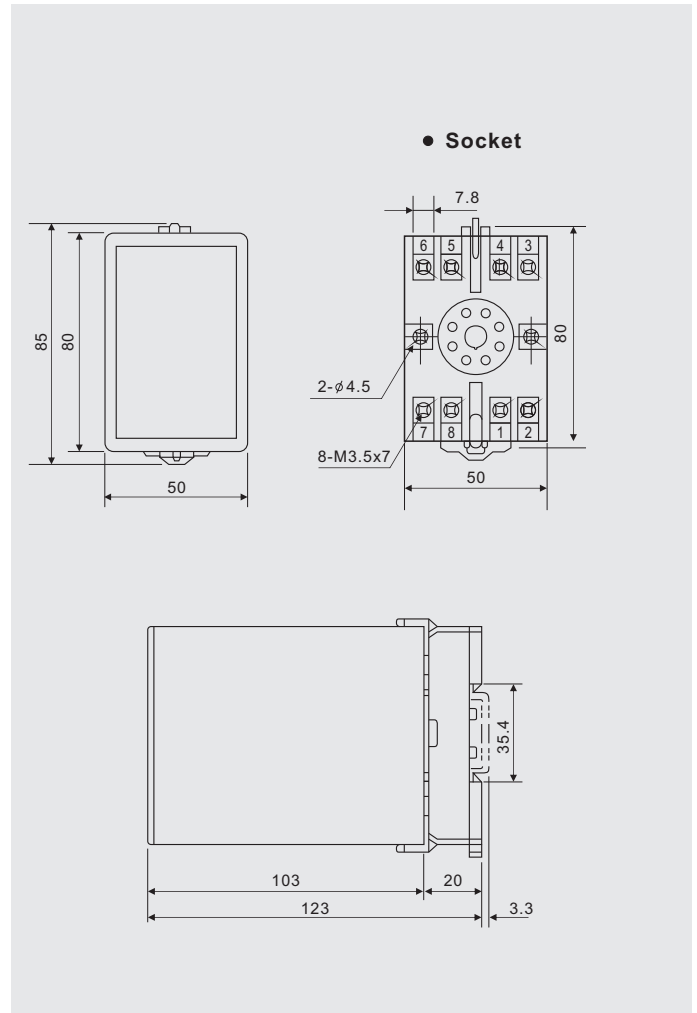
Isolation ..... Input/Output/Power/Case

Insulation resistance ..... ≧ 100MΩ, DC 500 V

Dielectric strength ..... Input/Output/Powe AC1.8KV/minute  
All terminal/Case AC1.8KV/minute

Impulse withstand test ..... 3KV, 1.2 × 50 μs  
Common mode & Differential mode

DIMENSIONS (UNIT : mm)



CONNECTION DIAGRAM

