



FEATURES

- Accuracy: $\pm 0.1\%$ R.O.
- Steady voltage, current and low ripple output
- Plug-in type
- DC 24V for two wire transmitter

■ **MODEL: S4 - DT - D** — — —

INPUT : DC 4-20 mA

NO.	DC Output 1 Range	Load R.	NO.	DC Output 2 Range	Load R.	NO.	Power Supply
V1	0 ~ 100mV	$\cong 100K\Omega$	10	0 ~ 100mV	$\cong 100K\Omega$	1	AC 110V
V2	0 ~ 1V	$\cong 1K\Omega$	11	0 ~ 1V	$\cong 1K\Omega$	2	AC 220V
V3	0 ~ 5V	$\cong 1K\Omega$	12	0 ~ 5V	$\cong 1K\Omega$	3	DC 110V
V4	0 ~ 10V	$\cong 1K\Omega$	13	0 ~ 10V	$\cong 1K\Omega$	4	DC 48V
V5	1 ~ 5V	$\cong 1K\Omega$	14	1 ~ 5V	$\cong 1K\Omega$	5	DC 24V
A1	0 ~ 1mA	$\cong 10K\Omega$	16	0 ~ 1mA	$\cong 10K\Omega$	0	Option
A2	0 ~ 10mA	$\cong 1K\Omega$	17	0 ~ 10mA	$\cong 1K\Omega$		
A3	0 ~ 20mA	$\cong 500\Omega$	18	0 ~ 20mA	$\cong 500\Omega$		
A4	4 ~ 20mA	$\cong 500\Omega$	19	4 ~ 20mA	$\cong 500\Omega$		
A5	20 ~ 4mA	$\cong 500\Omega$	20	20 ~ 4mA	$\cong 500\Omega$		
00	Option		00	Option			

SPECIFICATION

Accuracy $\pm 0.1\%$ R.O.

Power supply AC 110 V $\pm 15\%$, 50/60HZ
 AC 220 V $\pm 15\%$, 50/60HZ
 DC 24V,48V,110V $\pm 10\%$

Power consumption AC $\cong 5VA$, DC $\cong 3W$

Input resistance $\cong 50\Omega$ (20mA)

Short circuit protection current limited 40 mA Maximun

Protected time duration No limited

Response time $\cong 400$ msec

Output ripple $\cong 0.5\%$ R.O.(peak-peak)

Span adjustment range $\cong \pm 10\%$ R.O.

Zero adjustment range $\cong \pm 5\%$ R.O.

Operating temperature rang 0 ~ 60°C

Storage temperature rang -10 ~ 70°C

temperature rang coefficient $\cong 150PPM/^\circ C$

Max. relative humidity 95%

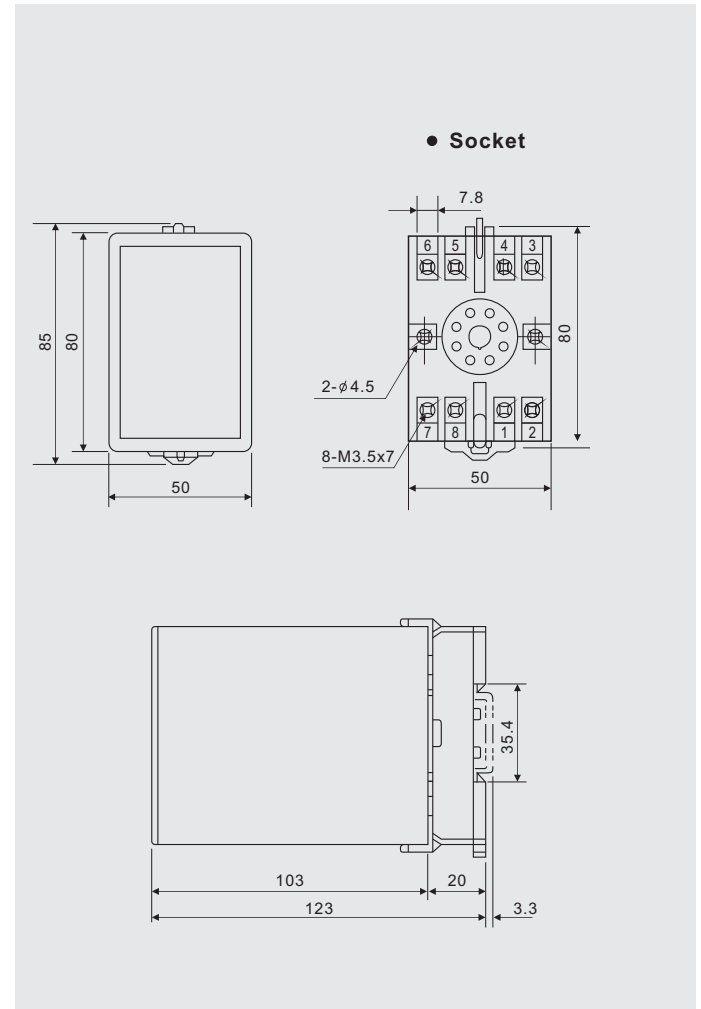
Isolation Input/Output/Power/Case

Insulation resistance $\cong 100M\Omega$, DC 500 V

Dielectric strength Input/Output/Power AC1.8KV/minute
 All terminal/Case AC1.8KV/minute

Impulse withstand test 3KV, 1.2 x 50 μs
 Common mode & Differential mode

DIMENSIONS (UNIT : mm)



CONNECTION DIAGRAM

