



SIGNAL ISOLATED TRANSMITTER(FAST-RESPONSE)

S4-DT SERIES



FEATURES

- Accuracy: $\pm 0.1\%$ RO.
- Wide input and output range selection
- Steady voltage, current and low ripple output
- Fast-response: 500 μ s
- Plug-in type

■ MODEL: S4 - DT - [] - [] - [] - F

NO.	DC Input Range	NO.	DC Output Range	Load R.	NO.	Power Supply
V1	0 ~ 10mV	10	0 ~ 100mV	$\geq 100K\Omega$	1	AC 110V
V2	0 ~ 100mV	11	0 ~ 1V	$\geq 500\Omega$	2	AC 220V
V3	0 ~ 1V	12	0 ~ 5V	$\geq 500\Omega$	3	DC 110V
V4	0 ~ 5V	13	0 ~ 10V	$\geq 500\Omega$	4	DC 48V
V5	1 ~ 5V	14	1 ~ 5V	$\geq 500\Omega$	5	DC 24V
V6	0 ~ 10V	15	-10 ~ 10V	$\geq 1K\Omega$	0	Option
V7	-10 ~ 10V	16	0 ~ 1mA	0 ~ 10K Ω		
V8	0 ~ 100V	17	0 ~ 10mA	0 ~ 1.5K Ω		
A1	0 ~ 1mA	18	0 ~ 20mA	0 ~ 750 Ω		
A2	0 ~ 10mA	19	4 ~ 20mA	0 ~ 750 Ω		
A3	0 ~ 20mA	20	20 ~ 4mA	0 ~ 750 Ω		
A4	4 ~ 20mA	00	Option			
00	Option					

SPECIFICATION

Accuracy $\pm 0.1\%$ RO.

Power supply AC 110V $\pm 15\%$, 50/60Hz
 AC 220V $\pm 15\%$, 50/60Hz
 DC 110V, 48V, 24V $\pm 10\%$

Input resistance $\geq 200K\Omega$ (mV)
 $\geq 1M\Omega$ (V)
 $\leq 50\Omega$ (20mA)

Response time $\leq 500\mu$ sec.

Output ripple $\leq 0.5\%$ RO. (peak-peak)

Operating temp. 0 ~ 60 °C

Storage temp. -10 ~ 70 °C

Temp. coefficient $\leq 150PPM/^\circ C$

Span adjustment $\geq \pm 20\%$

Zero adjustment $\geq \pm 10\%$

Max. relative humidity 95%

Isolation Input/Output/Power/Case

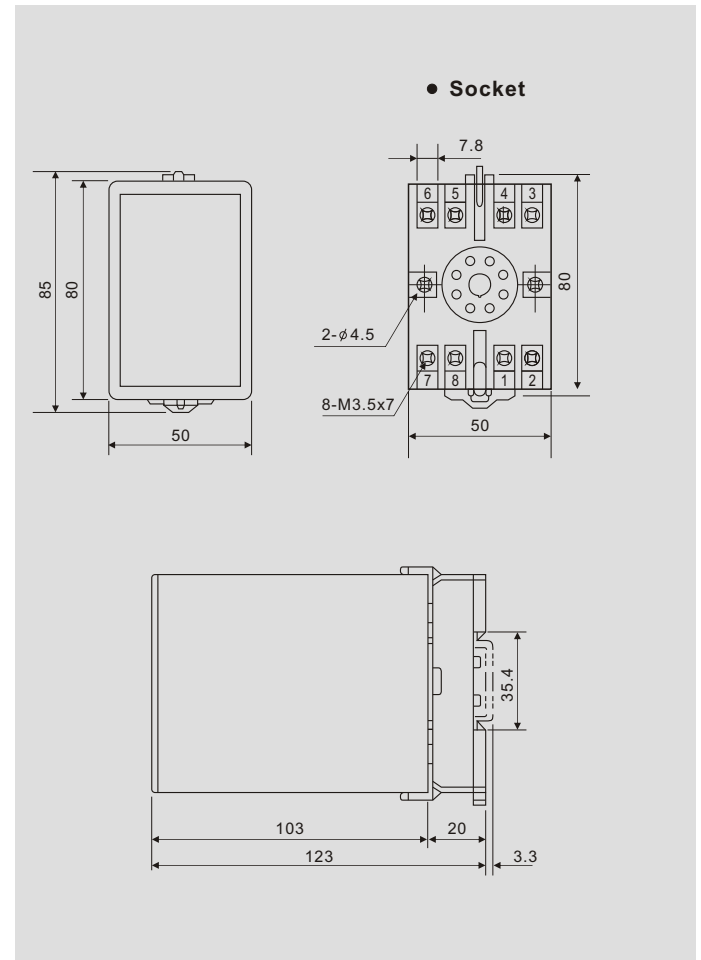
Insulation resistance $\geq 100M\Omega$, DC 500V

Dielectric strength Input/Output/Power AC 1.8KV/min.
 All Terminal/Case AC 1.8KV/min.

Impulse withstand test 3KV, 1.2 X 50 μ S
 Common mode & differential mode

Power consumption $\leq AC 5VA$, $\leq DC 3W$

DIMENSIONS (UNIT : mm)



CONNECTION DIAGRAM

