



FEATURES

- Accuracy $\pm 0.1\%$ R.O.
- Wide input and output range selection
- Steady voltage, current and low ripple output
- The case can be mounted on a 35mm rail which complies with DIN 46277



ORDER INFORMATION

S3-DT- [] [] []

DC Input Range

- | | |
|----------------|---------------|
| V1: 0 ~ 10 mV | A1: 0 ~ 1 mA |
| V2: 0 ~ 100 mV | A2: 0 ~ 10 mA |
| V3: 0 ~ 1 V | A3: 0 ~ 20 mA |
| V4: 0 ~ 5 V | A4: 4 ~ 20 mA |
| V5: 1 ~ 5 V | 00: Option |
| V6: 0 ~ 10 V | |
| V7: -10 ~ 10 V | |
| V8: 0 ~ 100 V | |

DC Output Range

- | | |
|----------------|---------------|
| 10: 0 ~ 100 mV | 16: 0 ~ 1 mA |
| 11: 0 ~ 1 V | 17: 0 ~ 10 mA |
| 12: 0 ~ 5 V | 18: 0 ~ 20 mA |
| 13: 0 ~ 10 V | 19: 4 ~ 20 mA |
| 14: 1 ~ 5 V | 20: 20 ~ 4 mA |
| 15: -10 ~ 10 V | 00: Option |

Aux. Power Source

- 1: AC 110 V
- 2: AC 220 V
- 3: DC 110 V
- 4: DC 48 V
- 5: DC 24 V
- 0 : Option

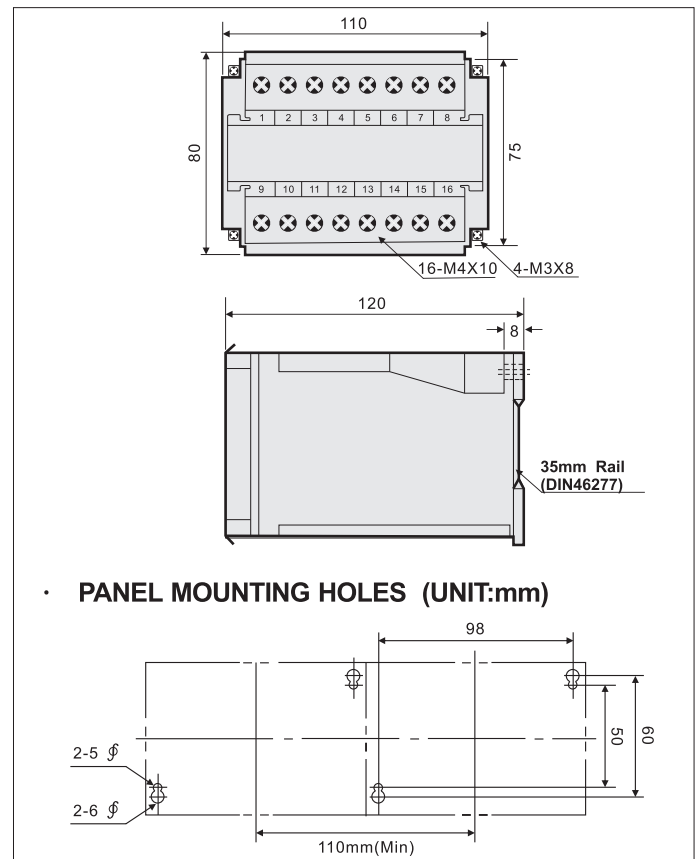
SPECIFICATION

- Accuracy $\pm 0.1\%$ R.O.
- Aux. power source AC 110 V $\pm 15\%$, 50/60 HZ
AC 220 V $\pm 15\%$, 50/60 HZ
DC 110, 48, 24 V, $\pm 10\%$
- Power consumption AC $\leq 6VA$, DC $\leq 5W$
- Response time ≤ 400 mSec
- Output Ripple $\leq 0.5\%$ R.O. (peak-peak)
- Excitation DC 24V, less than 30 mA
- Span adjustment range $\geq 20\%$ R.O.
- Zero adjustment range $\geq 10\%$ R.O.
- Operating temperature range 0 ~ 60°C
- Storage temperature range -10 ~ 70°C
- Temperature coefficient ≤ 150 PPM/°C
- Max. relative humidity 95%
- Isolation Input/output/power/case
- Isolation resistance $\geq 100M\Omega$, DC 500 V
- Dielectric withstand voltage: IEC 60688 Between input/output/power/case
AC 1.8 KV, 60 HZ, 1 minute
- Impulse withstand test 3KV, 1.2 x 50 μ s
IEC 61000-4-5 Common mode & differential mode
- Performance Designed to comply with IEC 60688
- Safety requirement IEC 60414, BS 5458

OUTPUT

DC Output Range	Load Resistance	Output Resistance	Output Ripple	Response Time
0 ~ 1V	$\cong 1 K\Omega$	$\cong 0.05\Omega$	$\cong 0.5\%$ R.O. (peak)	$\cong 400mS$. 0 ~ 99%
0 ~ 5V				
1 ~ 5V				
0 ~ 10V	$\cong 10K\Omega$	$\cong 20M\Omega$		
0 ~ 1mA				
0 ~ 10mA	$\cong 1 k\Omega$	$\cong 5M\Omega$		
0 ~ 20mA				
4 ~ 20mA				

THE OUTSIDE DIMENSION (UNIT:mm)



PANEL MOUNTING HOLES (UNIT:mm)

CONNECTION DIAGRAM

