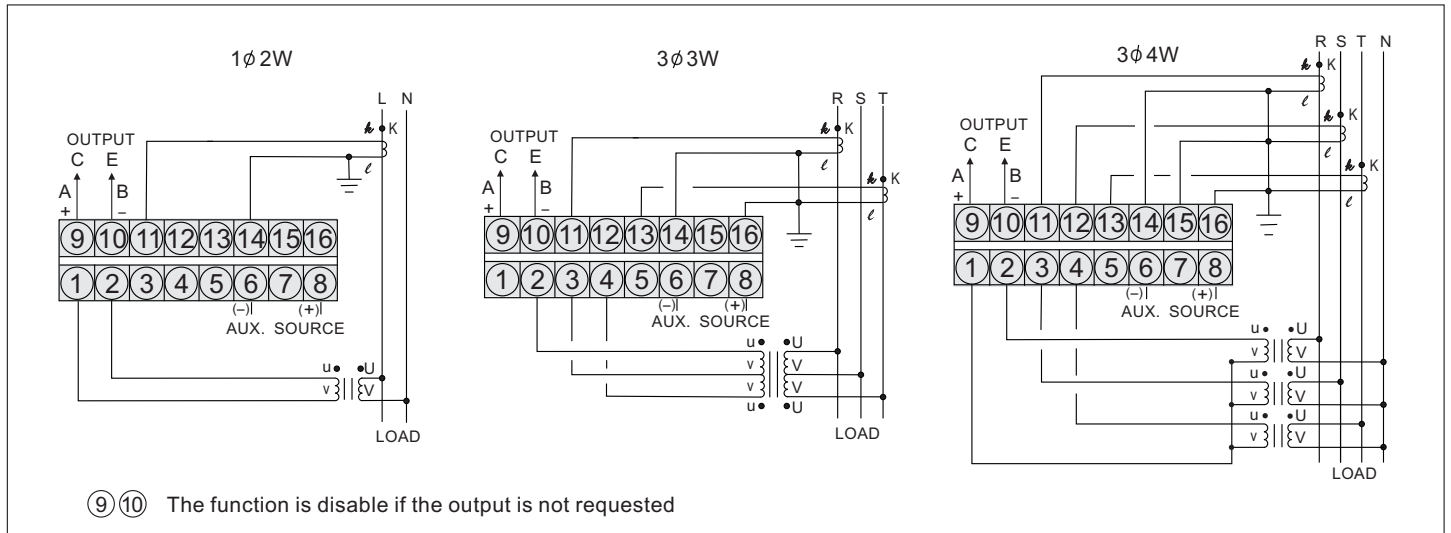


CONNECTION DIAGRAMS

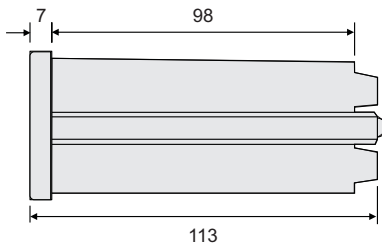
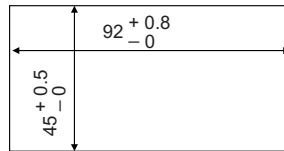
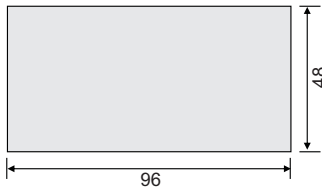
Figure G.



OUTSIDE DIMENSION (UNIT:mm)

Figure 01.

• PANEL CUT-OUT



TAIK ELECTRIC CO.,LTD.

4 THFL., NO. 5 , ALLEY 11 , LANE 327 , CHUNG SHAN RD. ,
 SEC.2,CHUNGHE DISTRICT, NEW TAIPEI CITY,TAIWAN,R.O.C.
 TEL:(02)2242-6825 E-mail:taikc0@ms15.hinet.net
 FAX:(02)2242-6827 http://www.taik.com.tw



ISO 9001
 FM 40649