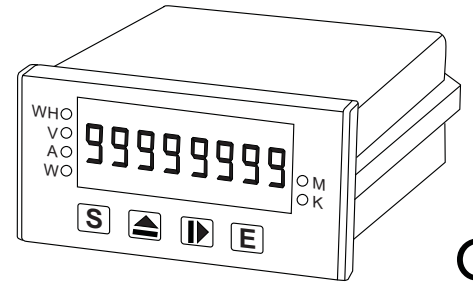




FEATURES

- Display: 99999999(WH)
- Display: 9999(V. A. W)
- Programmable process rate monitor
- Easy-to-wire, screw-type terminals
- Input/Output/Power/Case is isolated
- Outside dimension is DIN standard (96x48mm)



SPECIFICATION

• Input

Circuit	AC Input		Display
	Voltage	Ampere	
Single Phase	110V	5A	99999999 (Auto-Cal. Decimal point)
	220V		
3-Phase, 3-Wire	110V	1A	
	220V		
3-Phase, 4-Wire	$\sqrt{3}$ 110V/110V		
	$\sqrt{3}$ 220V/220V		

• Communication

Interface RS 485
 Protocol MODBUS, RTU framing
 Baud rate 1200 ~ 38400
 Address range 1 ~ 255
 Data format N82, O81, E81, N81

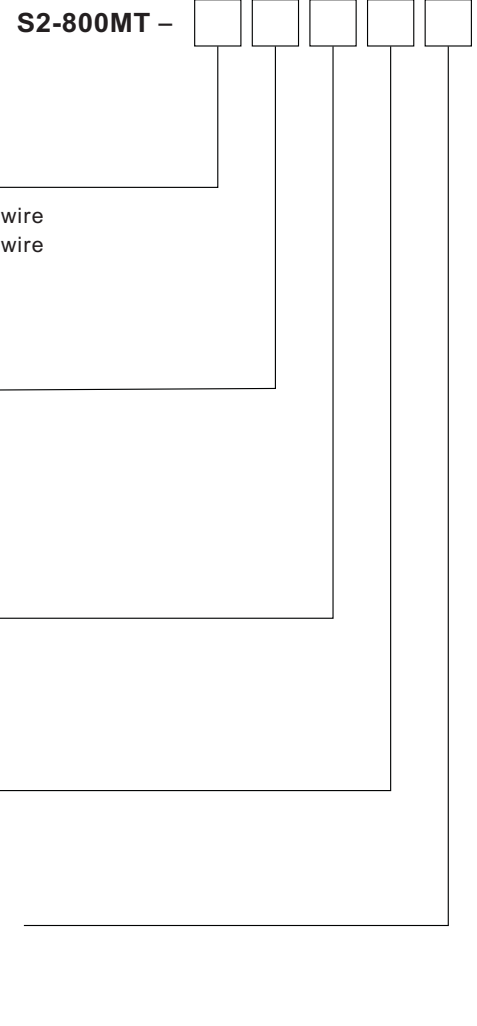
• General

Display 9.1mm (0.36") H, red LED
 Max. input over capability Amp. 3 x rated continuous
 10 x rated 30 seconds
 50 x rated 1 second
 Volt. 750V continuous
 Accuracy $\pm 0.3\%$ F.S. ± 1 digit, PF ≥ 0.5
 (Option: depending on actual measuring)
 Input burden V olt. input ≤ 0.5 VA/Phase
 Amp. Input ≤ 0.3 VA/Phase
 Input frequency range 45 ~ 70Hz
 Aux. power source AC/DC 85 ~ 265V
 DC 20 ~ 60V
 Power consumption \leq AC 6.5VA, \leq DC 5W
 Operating temperature range 0 ~ 60°C
 Storage temperature range -10 ~ 70°C
 Temperature coefficient ≤ 150 PPM/°C
 Max. relative humidity 95%
 Memory backup FRAM
 Memory times ≥ 10 years
 Dielectric strength (IEC 688) AC 2KV/1 minute
 Input/output/power terminates
 AC 3KV/1 minute
 All terminals to case
 Connection diagram See page 23, Figure G.
 Dimensions See page 23, Figure 01.

• Electromagnetic compatibility

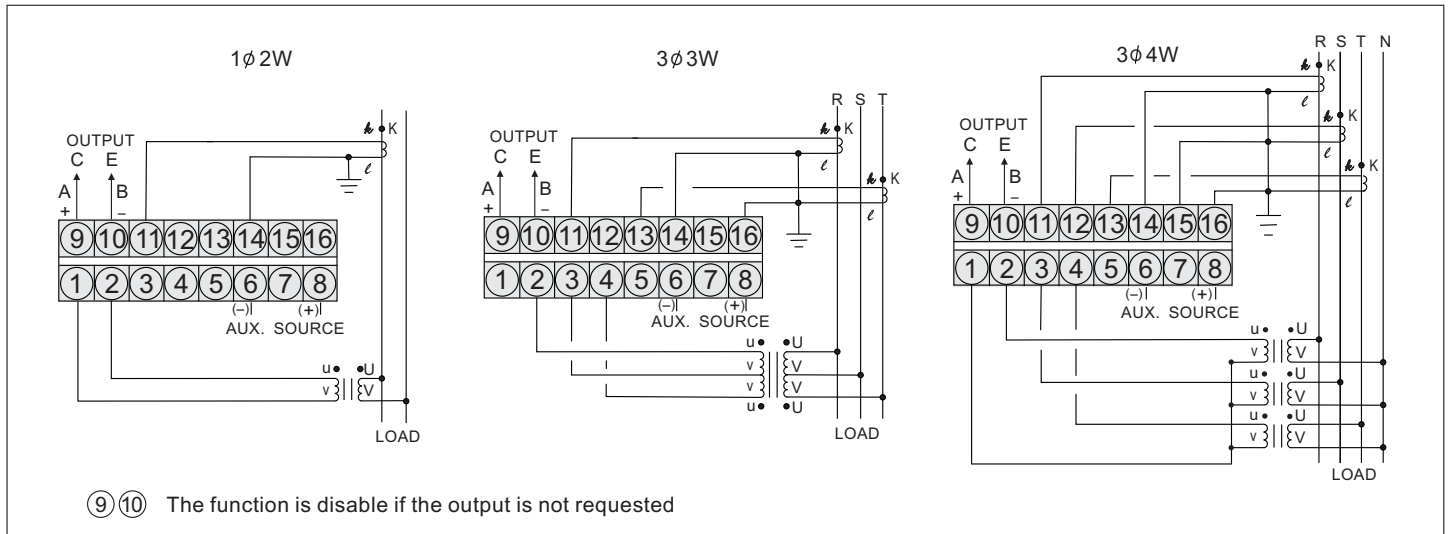
Electrostatic discharge IEC 61000-4-2
 Electromagnetic fields immunity IEC 61000-4-3
 Electrical transient in burst IEC 61000-4-4
 Withstanding impulse voltage IEC 61000-4-5
 Immunity to voltage dips IEC 61000-4-11

ORDERING INFORMATION



CONNECTION DIAGRAMS

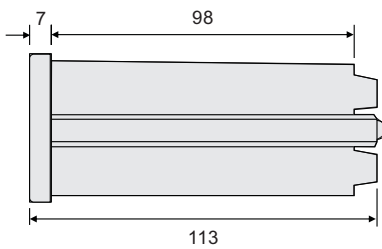
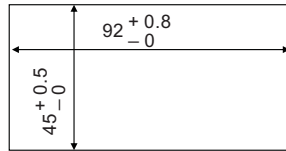
Figure G.



OUTSIDE DIMENSION (UNIT:mm)

Figure 01.

• PANEL CUT-OUT



TAIK ELECTRIC CO., LTD.

4TH FL., NO.5, ALLEY 11, LANE 327, CHUNGSHAN RD., SEC.2,
CHUNGHE DISTRICT, NEW TAIPEI CITY, TAIWAN, R.O.C.

TEL: 886-2-22426825

E-mail: taikco@ms15.hinet.net

FAX: 886-2-22426827

http://www.taik.com.tw