

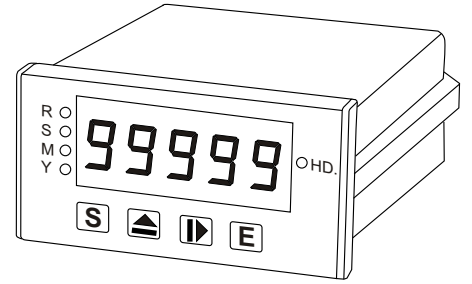


5 DIGITAL SPEED/RPM METER

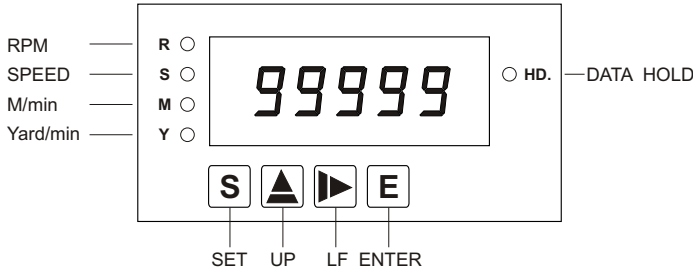
**MODEL
S2-500R**

FEATURES

- Accuracy: $\pm 0.05\%$
- Auto-change decimal point (99999 ~ 999.99)
- Outside dimension is DIN standard (96x48mm)
- 0.1 ~ 5999.9mm of rotary diameter
- 1 ~ 59999 P/R of input

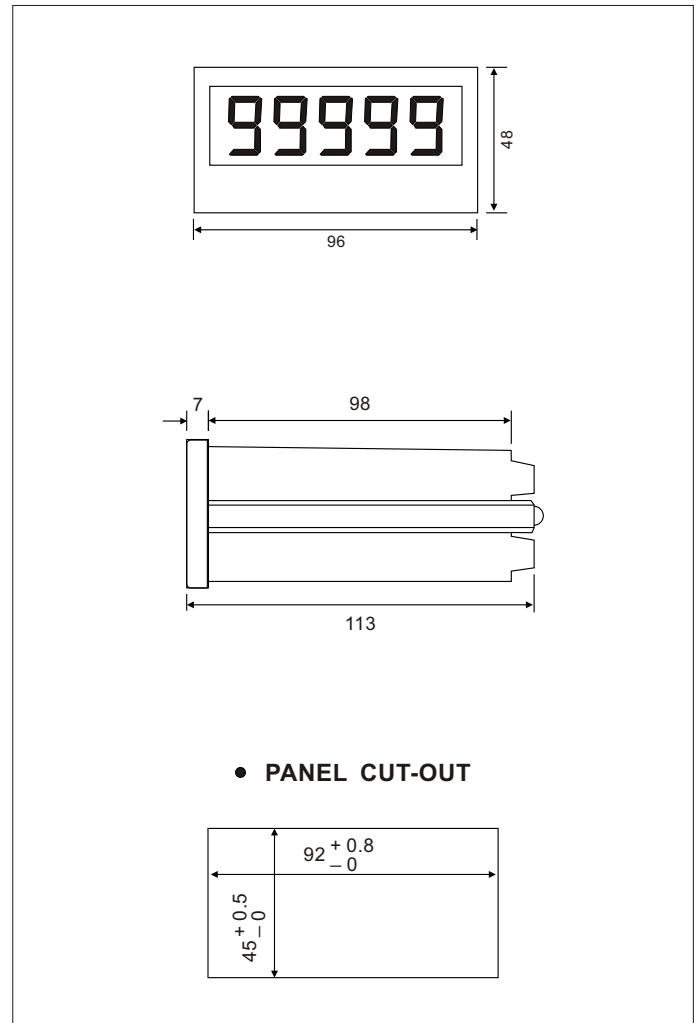


SPECIFICATION



- Digit & display 5 digits (99999) 0.56" H
- Measuring Accuracy 0.05% F.S.
(Option: Depending on actual measuring)
- Input impedance $\geq 2M\Omega$
- Aux. power supply AC 110V / 220V, 50/60Hz
- Sensor power supply DC 12V, 30mA
- Operating temp. range 0 ~ 60°C
- Operating hum. range 20 ~ 90% RH
- No input indication "0.00"
- Over indication "OFL"
- Power consumption \leq AC 3 VA
- Dielectric withstand volt Between input & power terminal: AC 2KV. 1 minute
All terminal to case
AC 3KV/1 minute
- Impulse withstand test Common Mode 1.2 x 50 μ S 4 KV
- Sampling time 1 sec.
- Measuring Methods One chip IC
- MAX. input frequency 5KHZ (stand)
50KHZ (Option)
- Min. input frequency 0.2HZ
- Measured at average input 1 ~ 9 times

OUTSIDE DIMENSION (UNIT:mm)



ORDERING INFORMATION

S2-500R-

Input Lever	Input Model	Aux. Power Source
A: DC 5V B: DC 12V C: DC 24V O: Option	A: Pulse (TTL) B: Pulse (PNP) C: Pulse (NPN) O: Option	A: AC 110V/220V O: Option

CONNECTION DIAGRAMS

