

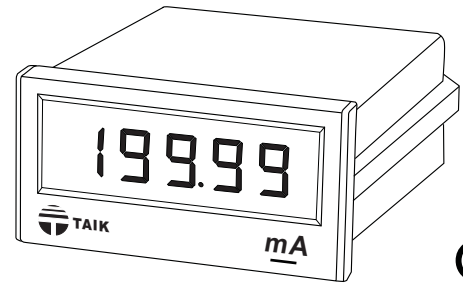


4 1/2 DIGITAL METER

MODEL
S2-412

FEATURES

- 4 1/2 display: 19999
- Accuracy: $\pm 0.05\%$ to $\pm 0.15\%$
- Easy-to-wire. screw-type terminals
- Outside dimension is DIN standard (96x48mm)
- Data holding is available



SPECIFICATION

• Direct Input

Variable to be Measured	Measuring Range	Input Impedance	Resolution
DC	199.99 μ A	1K Ω	0.01 μ A
	1.9999mA	100 Ω	0.0001mA
	19.999mA	10 Ω	0.001mA
	199.99mA	1 Ω	0.01mA
	1.9999A	0.1 Ω	0.0001A
AC	15.000A	0.1 Ω	0.001A
	199.99mV	$\geq 5M\Omega$	0.01mV
TRMS	1.9999V	$\geq 1M\Omega$	0.0001V
	19.999V	$\geq 1M\Omega$	0.001V
	199.99V	$\geq 1M\Omega$	0.01V
	750.0V	$\geq 3M\Omega$	0.1V

• Ratio Input (Secondary of CT, PT)

Variable to be Measured	Input Range	Input Impedance	Display Range
AC	0 ~ 1A	0.1 Ω	appointed as primary value of CT, PT
	0 ~ 5A	0.1 Ω	
TRMS	0 ~ 110V	$\geq 1M\Omega$	
	0 ~ 220V	$\geq 1M\Omega$	

• Receiving Meter

Variable to be Measured	Input Range	Input Impedance	Display Range
DC	0 ~ 50mV	$\geq 5M\Omega$	appointed
	0 ~ 60mV	$\geq 5M\Omega$	
AC	0 ~ 5V	$\geq 1M\Omega$	
	1 ~ 5v	$\geq 1M\Omega$	
	0 ~ 10V	$\geq 1M\Omega$	
TRMS	0 ~ 1mA	100 Ω	
	4 ~ 20mA	10 Ω	

- Display 14.2mm (0.56") H, red LED
- Max. input over capability Amp. 3 x rated continuous
10 x rated 30 seconds
50 x rated 1 second
Volt. 750V continuous
- Accuracy DC range $\pm 0.05\%$ F.S. ± 2 digits
AC range $\pm 0.15\%$ F.S. ± 2 digits
(Option: Depending on actual measuring)
- Measuring mode Dual Slope
- Sampling time Abt. 0.8 sec. typically
- Frequency range 45~400Hz for AC range
- Over input indication "0000" Flash
- Polarity Only "-" display
- Aux. power source AC 110V/220V $\pm 15\%$, 50/60Hz
DC 24V, 48V, 110V $\pm 10\%$
- Power consumption \leq AC 3VA, \leq DC 3W
- Operating temperature range 0 ~ 60°C
- Sensor power supply DC 12V or 24V, 30mA
(Option function)
- Storage temperature range -10 ~ 70°C
- Temperature coefficient ≤ 100 PPM/°C
 ≤ 60 PPM/°C, 25°C ± 10 °C
- Max. relative humidity 95%
- Dielectric strength (IEC 60688) AC 2KV/1 minute
Input to power terminals
AC 3KV/1 minute
All terminals to case
- Connection diagram See page 23, figure A.
- Dimensions See page 23, figure 01.
- Electromagnetic compatibility
- Withstanding impulse voltage IEC 61000-4-5

ORDERING INFORMATION

S2-412-

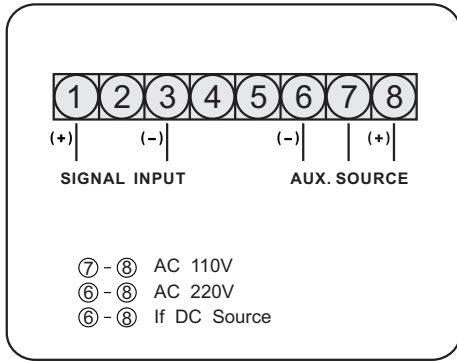
Input Signal	Measuring Range		Aux. Power Source
D: DC	A1: 199.99 μ A	A7: 0~1A	1: AC 110V/220V
A: AC	A2: 1.9999mA	A8: 0~5A	2: DC 110V
T: TRMS	A3: 19.999mA	V6: 0~110V	3: DC 48V
0: Option	A4: 199.99mA	V7: 0~220V	4: DC 24V
	A5: 1.9999A	P1: 0~50mV	0: Option
	A6: 15.000A	P2: 0~60mV	
	V1: 199.99mV	P3: 0~5V	
	V2: 1.9999V	P4: 1~5V	
	V3: 19.999V	P5: 0~10V	
	V4: 199.99V	P6: 0~1mA	
	V5: 750.0V	P7: 4~20mA	
	00: Option		

• EXAMPLE

- Measured range : AC 750V
- Aux. power source : AC 110V/220V
- Ordering model : S2-412-AV51
- Measured range : DC 4~20mA
- Display : 0 ~ 100.0%
- Aux. power source : AC 110V/220V
- Ordering model : S2-412-DP71
(appointed display range : 0 ~ 100.0%)

CONNECTION DIAGRAMS

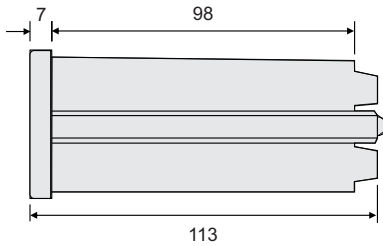
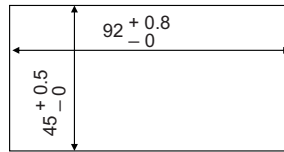
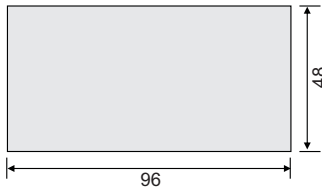
Figure A.



OUTSIDE DIMENSION (UNIT:mm)

Figure 01.

• PANEL CUT-OUT



TAIK ELECTRIC CO., LTD.

4TH FL., NO .5, ALLEY 11, LANE 327, CHUNGSHAN RD., SEC.2,
CHUNGHE DISTRICT, NEW TAIPEI CITY, TAIWAN, R.O.C.

TEL: 886-2-22426825

E-mail: taikco@ms15.hinet.net

FAX: 886-2-22426827

<http://www.taik.com.tw>