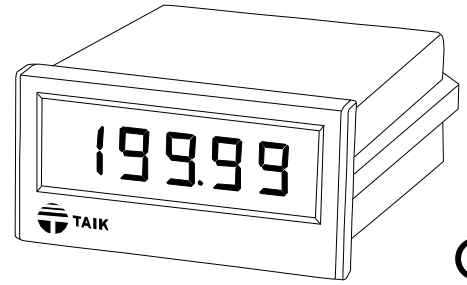


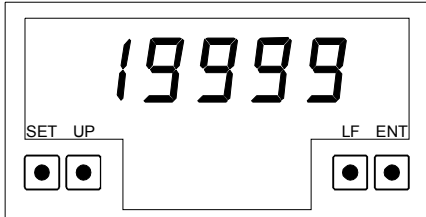


FEATURES

- 4 1/2 display : -19999 ~ 19999
- Protocol : Modbus RTU Mode
- Easy-to wire, screw-type terminals
- Outside dimension is DIN standard (96 x 48mm)

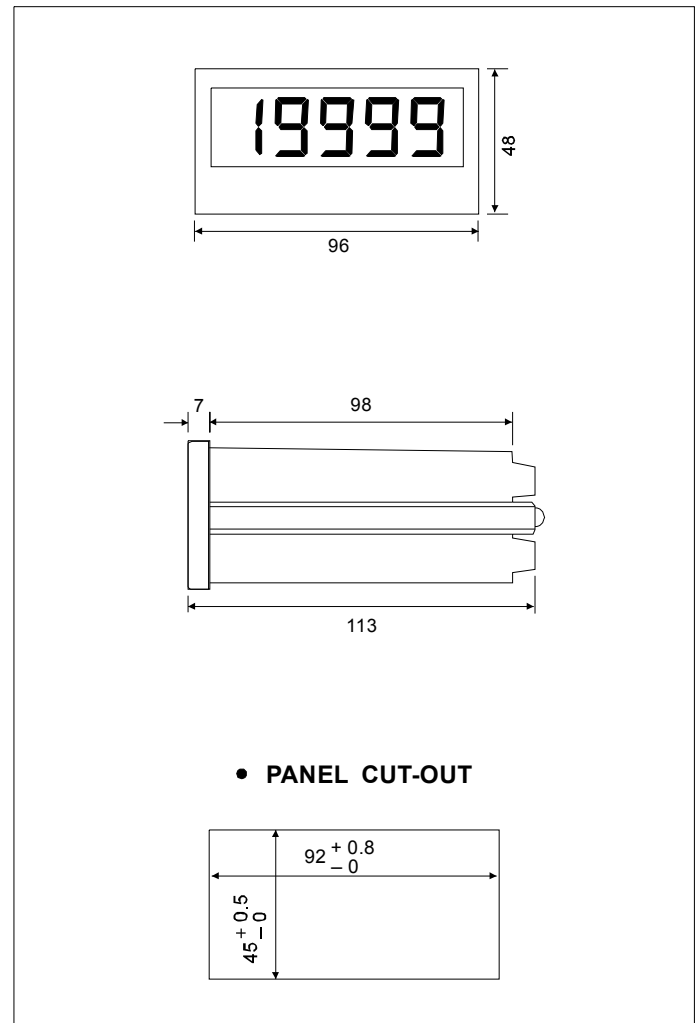


SPECIFICATION



Display	14.2mm (0.56") H, red LED
Input	RS 485
Baud rate	1200 ~ 38400
Frame	N82, O81, E81, N81
Address	1 ~ 255
Protocol	Modbus RTU Mode
Aux. power source	AC 110V / 220V, 50/60Hz
Power consumption	≤ AC 3VA
Operating temp. range	0 ~ 60°C
Storage temp. range	-10 ~ 70°C
Max. relative humidity	95%
Dielectric strength (IEC 688)	AC 2KV/1 minute
	Input to power terminals
	AC 3KV/1 minute
	All terminals to case
Impulse (IEC 255-4)	Common mode 1.2 x 50μS 4KV

OUTSIDE DIMENSION (UNIT:mm)



ORDERING INFORMATION

S2-412RS-

Input Signal	Aux. Source
1: RS 485 0: Option	1: AC 110V/220V 0: Option

CONNECTION DIAGRAM

