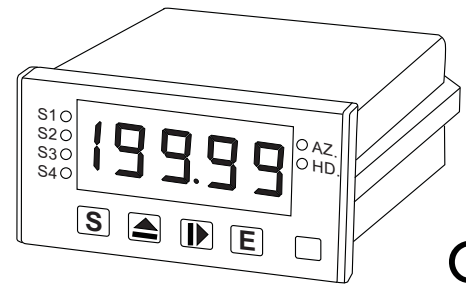




FEATURES

- 4 1/2 digits display: ±19999
- Accuracy: ±0.05% to ±0.25%
- Auto-zero and hold function
- Measuring adjustment in input sensing deviation
- Outside dimension is DIN standard (96x48mm)



SPECIFICATION

• Input

Variable to be Measured	Input Range	Input Impedance	Display Range
DC	0 ~ 5V	≥300KΩ	0 ~ ±19999 Programmable
	1 ~ 5V	≥300KΩ	
	0 ~ 10V	≥240KΩ	
	0 ~ 1mA	100Ω	
	4 ~ 20mA	10Ω	
AC • TRMS	0 ~ 1A	0.1Ω	
	0 ~ 5A	0.1Ω	
	0 ~ 110V	≥ 1MΩ	
	0 ~ 220V	≥ 1MΩ	

• Analog output

Output Range	Load Resistance	Output Resistance	Output Ripple
1 ~ 5V	≥ 1KΩ	≤ 0.05Ω	≤ 0.5% RO. (Peak)
0 ~ 10V			
0 ~ 1mA	0 ~ 10KΩ	≥ 20MΩ	
0 ~ 20mA	0 ~ 500Ω	≥ 5MΩ	
4 ~ 20mA			

• Communication

Interface RS 485
 Protocol MODBUS, RTU
 Baud rate 1200 ~ 38400
 Address range 1 ~ 255
 Data format N81, N82, O81, E81

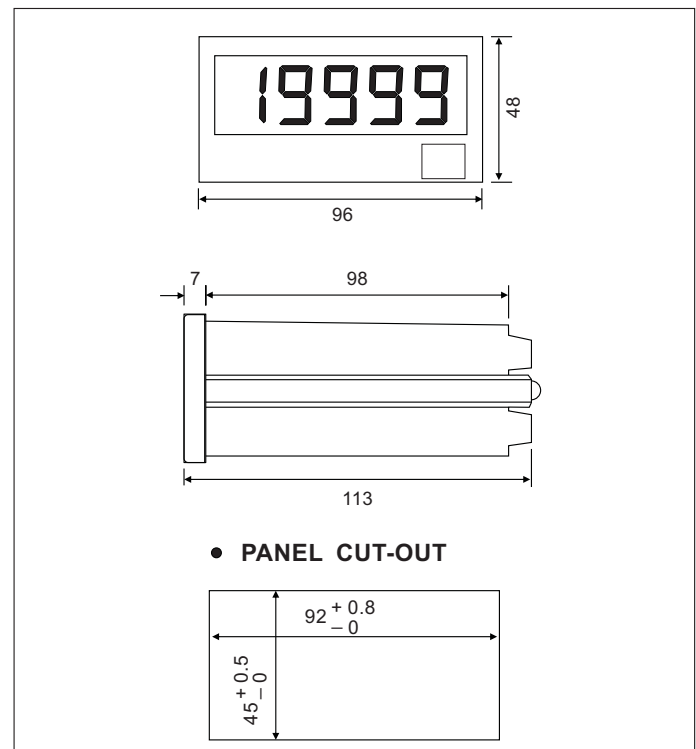
• General

Display 14.2mm(0.56")H, red LED
 Accuracy DC range ≤±0.05% F.S. ±2 digits
 AC range ≤±0.15% F.S. ±2 digits
 Output ≤±0.1% ~ ±0.25% RO
 (Option: Depending on actual measuring)
 Sampling time Abt. 0.8 sec. Typically
 Frequency range 45 ~ 70HZ for AC range
 Over indication Flash "OFL" or "-OFL"
 Over input signal Flash display
 Aux. power source AC/DC 85 ~ 265V, DC 20 ~ 60V
 Power consumption ≤AC 8.5VA ≤DC 5W
 Sensor power supply DC 24V, 30mA
 Operating temperature range 0 ~ 60°C
 Storage temperature range -10 ~ 70°C
 Temperature coefficient ≤ 100PPM/°C
 ≤ 60PPM, 25°C±10°C
 Max. relative humidity 95%
 Dielectric strength (IEC 688) AC 2KV/1 minute
 Input/output/power terminals
 AC 3KV/1 minute
 All terminals to case

• Electromagnetic compatibility

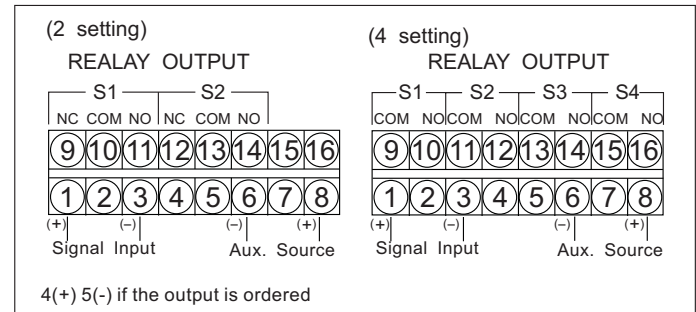
Electrostatic discharge IEC 61000-4-2
 Electromagnetic fields immunity IEC 61000-4-3
 Electrical transient in burst IEC 61000-4-4
 Withstanding impulse voltage IEC 61000-4-5
 Immunity to voltage dips IEC 61000-4-11

OUTSIDE DIMENSION (UNIT:mm)



• PANEL CUT-OUT

CONNECTION DIAGRAMS



ORDERING INFORMATION

S2-412PA- [] [] [] [] [] []

Mode	Input	Measuring Range	Output	Aux. Source	Option
2: 2 setting 4: 4 setting	D: DC A: AC T: TRMS R: Pt100 K: K TYPE 0: Option	P1: 0 ~ 50mV A7: 0 ~ 1A P2: 0 ~ 60mV A8: 0 ~ 5A P3: 0 ~ 5V V6: 0 ~ 110V P4: 1 ~ 5V V7: 0 ~ 220V P5: 0 ~ 10V T1: 0 ~ 400°C P6: 0 ~ 1mA T2: 0 ~ 1200°C P7: 4 ~ 20mA 00: Option P8: 0 ~ 20mA	V2: 1~5V V4: 0~10V A2: 0~1mA A3: 0~20mA A4: 4~20mA RS: RS 485 NO: None 00: Option	1: AC/DC 85 ~ 265V 2: DC 20V ~ 60V 0: Option	H: Data hold D: Exciting DC 24V N: None