

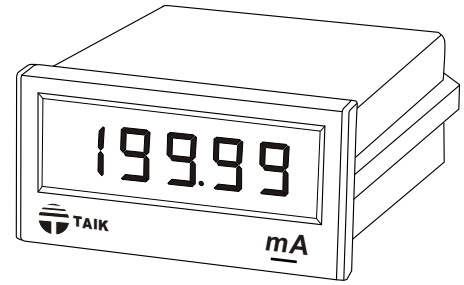


4 1/2 DIGITAL METER

**MODEL
S2-412**

FEATURES

- 4 1/2 display: 19999
- Accuracy: $\pm 0.03\%$ to $\pm 0.1\%$
- Easy-to-wire. screw-type terminals
- Outside dimension is DIN standard (96x48mm)
- Data holding is available



SPECIFICATION

• Direct Input

Variable to be Measured	Measuring Range	Input Impedance	Resolution
DC	199.99 μ A	1K Ω	0.01 μ A
	1.9999mA	100 Ω	0.0001mA
	19.999mA	10 Ω	0.001mA
	199.99mA	1 Ω	0.01mA
	1.9999A	0.1 Ω	0.0001A
AC	15.000A	0.1 Ω	0.001A
	199.99mV	$\geq 5M\Omega$	0.01mV
TRMS	1.9999V	$\geq 1M\Omega$	0.0001V
	19.999V	$\geq 1M\Omega$	0.001V
	199.99V	$\geq 1M\Omega$	0.01V
	750.0V	$\geq 3M\Omega$	0.1V

• Ratio Input (Secondary of CT, PT)

Variable to be Measured	Input Range	Input Impedance	Display Range
AC	0 ~ 1A	0.1 Ω	Appointed as primary value of CT, PT
	0 ~ 5A	0.1 Ω	
TRMS	0 ~ 110V	$\geq 1M\Omega$	
	0 ~ 220V	$\geq 1M\Omega$	

• Receiving Meter

Variable to be Measured	Input Range	Input Impedance	Display Range
DC	0 ~ 50mV	$\geq 5M\Omega$	Appointed
	0 ~ 60mV	$\geq 5M\Omega$	
	0 ~ 5V	$\geq 1M\Omega$	
AC	1 ~ 5V	$\geq 1M\Omega$	
	0 ~ 10V	$\geq 1M\Omega$	
TRMS	0 ~ 1mA	100 Ω	
	4 ~ 20mA	10 Ω	

ORDERING INFORMATION

S2-412-



Input Signal	Measuring Range	Aux. Power Source
D: DC	A1: 199.99 μ A	1: AC 110V/220V
A: AC	A2: 1.9999mA	2: DC 110V
T: TRMS	A3: 19.999mA	3: DC 48V
	A4: 199.99mA	4: DC 24V
	A5: 1.9999A	0: Option
	A6: 15.000A	
	V1: 199.99mV	
	V2: 1.9999V	
	V3: 19.999V	
	V4: 199.99V	
	V5: 750.0V	
	00: Option	
	A7: 0~1A	
	A8: 0~5A	
	V6: 0~110V	
	V7: 0~220V	
	P1: 0~50mV	
	P2: 0~60mV	
	P3: 0~5V	
	P4: 1~5V	
	P5: 0~10V	
	P6: 0~1mA	
	P7: 4~20mA	

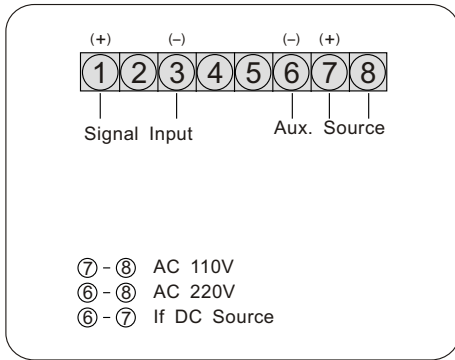
• EXAMPLE

Measured range : AC 750V
 Aux. power source : AC 110V/220V
 Ordering model : S2-412-AV51
 Measured range : DC 4~20mA
 Display : 0~100.0%
 Aux. power source : AC 110V/220V
 Ordering model : S2-412-DP71
 (appointed display range : 0~100.0%)

Display 14.2mm (0.56") H, red LED
 Max. input over capability Amp. 3 x rated continuous
 10 x rated 30 seconds
 50 x rated 1 seconds
 Volt. 750V continuous
 Accuracy DC volt. Range $\pm 0.03\%$ F.S. ± 1 digit
 DC amp. Range $\pm 0.03\%$ F.S. ± 3 digits
 AC volt. range $\pm 0.1\%$ F.S. ± 2 digits
 AC amp. range $\pm 0.1\%$ F.S. ± 4 digits
 (Option: Depending on actual measuring)
 Measuring mode Dual Slope
 Sampling time Abt. 0.8 sec. typically
 Frequency range 45~400Hz for AC range
 Over input indication "0000" Flash
 Polarity Only "-" display
 Aux. power source AC 110V/220V $\pm 10\%$, 50/60Hz
 DC 24V, 48V, 110V $\pm 15\%$
 Power consumption \leq AC 3VA, \leq DC 3W
 Operating temperature range 0~60°C
 Sensor power supply DC 12V or 24V, 30mA
 (Option function)
 Storage temperature range -10~70°C
 Temperature coefficient ≤ 100 PPM/°C
 ≤ 60 PPM/°C, 25°C $\pm 10\%$
 Max. relative humidity 95%
 Dielectric strength (IEC 688) AC 2KV/1 minute
 Input to power terminals
 AC 3KV/1 minute
 All terminals to case
 Impulse (IEC 255-4) Common mode 1.2 x 50 μ S 4 KV
 Connection diagram See next page, figure A.
 Dimensions See next page, figure 01.

CONNECTION DIAGRAMS

Figure A.



OUTSIDE DIMENSION (UNIT:mm)

Figure 01.

● PANEL CUT-OUT

