

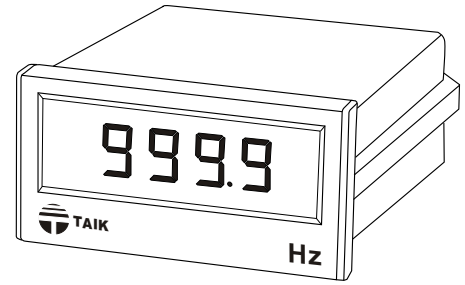


4 DIGITAL FREQUENCY METER

MODEL
S2-400F

FEATURES

- 4 display: 9999
- High accuracy: $\pm 0.05\%$
- Easy-to-wire. screw-type terminals
- Outside dimension is DIN standard (96x48mm)



SPECIFICATION

• Frequency Input

Measuring Range	Resolution	Input Impedance
99.99Hz	0.01Hz	$\geq 1M\Omega$
999.9Hz	0.1Hz	
9999Hz	1Hz	

Display 14.2mm (0.56") H, red LED
 Max. Input over capability 600V for signal input
 Accuracy $\pm 0.05\%$ F.S.
 (Option: Depending on actual measuring)
 Sampling time Abt. 1 sec. typically
 Aux. power source AC 110V/220V $\pm 15\%$, 50/60Hz
 Power consumption \leq AC 3VA
 Operating temperature range 0~60°C
 Storage temperature range -10~70°C
 Temperature coefficient 100PPM/°C
 Max. relative humidity 95%
 Dielectric strength (IEC 688) AC 2KV/1 minute
 Input to power terminals
 AC 3KV/1 minute
 All terminals to case
 Impulse (IEC 255-4) Common mode 1.2 x 50 μ S 4 KV
 Connection diagram See next page, figure A, B
 Dimensions See next page, figure 01.

ORDERING INFORMATION

S2-400F-

Measuring Range	Input Voltage	Aux. Power Source
1: 99.99HZ 2: 999.9HZ 3: 9999HZ	1: 110V/220V 2: 2 ~ 30V 3: 90 ~ 600V 4: Option	1: AC 110V/220V 2: None 3: Option

CONNECTION DIAGRAMS

Figure A.

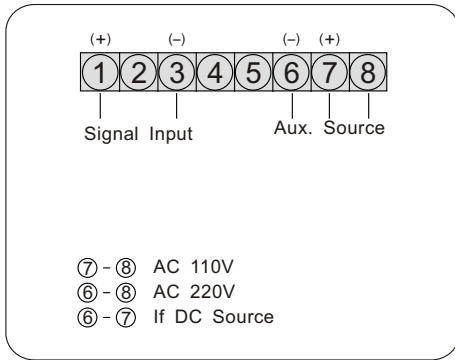
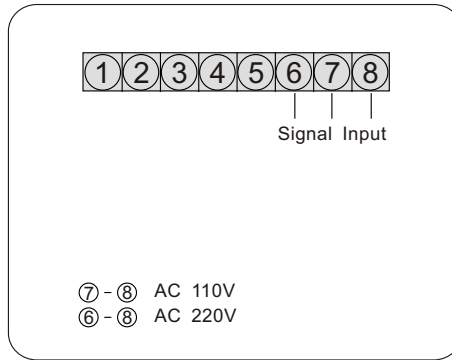


Figure B.



OUTSIDE DIMENSION (UNIT:mm)

Figure 01.

● PANEL CUT-OUT

