



4 DIGITAL METER RELAY

MODEL
S2-400A

FEATURES

- 4 digits display: ± 9999
- Accuracy: $\pm 0.05\%$ to $\pm 0.25\%$
- Auto-zero and hold function
- SPDT relay contact output
- Outside dimension is DIN standard (96x48mm)

SPECIFICATION

• Input

Variable to be Measured	Input Range	Input Impedance	Display Range
DC	0 ~ 5V	$\geq 1M\Omega$	0 ~ ± 9999
	1 ~ 5V	$\geq 1M\Omega$	
	0 ~ 10V	$\geq 1M\Omega$	
	0 ~ 1mA	100 Ω	
	4 ~ 20mA	10 Ω	
	0 ~ 20mA	10 Ω	
AC	0 ~ 1A	0.1 Ω	0 ~ ± 9999
	0 ~ 5A	0.1 Ω	
TRMS	0 ~ 110V	$\geq 1M\Omega$	
	0 ~ 220V	$\geq 1M\Omega$	
	0 ~ 750V	$\geq 3M\Omega$	
		$\geq 3M\Omega$	

• Analog OUTPUT

Output Range	Load Resistance	Output Resistance	Output Ripple
1 ~ 5V	$\geq 1K\Omega$	$\leq 0.05\Omega$	$\leq 0.5\%$ R.O. (Peak)
0 ~ 10V			
0 ~ 1mA	0 ~ 10K Ω	$\geq 20M\Omega$	
0 ~ 20mA	0 ~ 500 Ω	$\geq 5M\Omega$	
4 ~ 20mA			

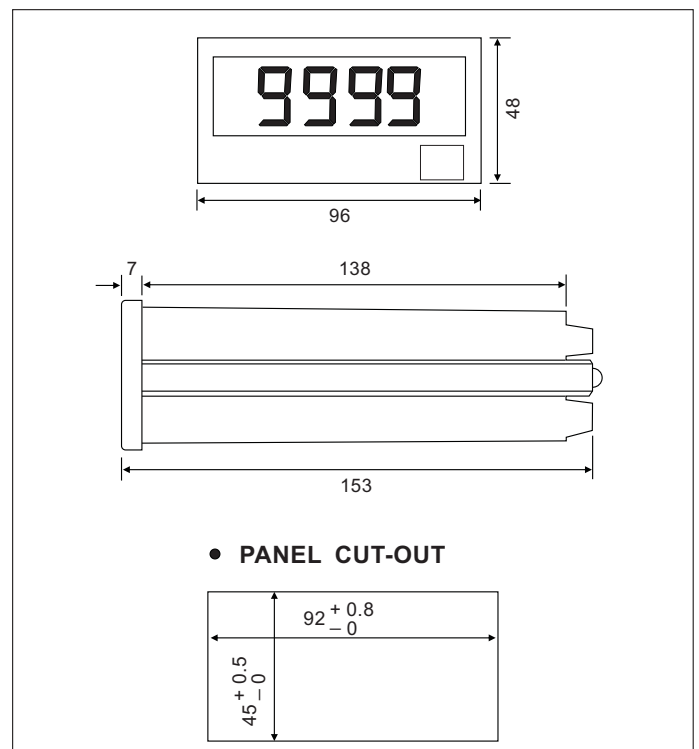
• General

Display: 14.2mm(0.56")H, red LED
 Accuracy: DC range $\leq 0.05\%$ F.S. ± 2 digits
 AC range $\leq 0.15\%$ F.S. ± 2 digits
 Output $\leq \pm 0.1\% \sim \pm 0.25\%$ R.O.
 (Option: Depending on actual measuring)
 Sampling time: Abt. 0.8 sec. Typically
 Frequency range: 45 ~ 70HZ for AC range
 Over indication: Flash "OFL" or "-OFL"
 Over input signal: Flash display
 Setting range: $\pm 0 \sim 9999$
 Control mode: Hi & Lo, S2=Hi, S1=Lo
 Hi & HiHi, S1=Hi, S2=HiHi
 Lo & LoLo, S2=Lo, S1=LoLo
 Setting delay time: 0 ~ 999 sec.
 Memory backup: EEPROM
 Relay contact output: AC 110V/220V, DC 24V, 5A
 Aux. power source: AC/DC 85 ~ 265V, DC 20 ~ 60V
 Power consumption: AC $\leq 8.5VA$, DC $\leq 5W$
 Sensor power supply: DC 24V, 30mA
 Operating temperature range: 0 ~ 60°C
 Storage temperature range: -10 ~ 70°C
 Temperature coefficient: $\leq 100PPM/^\circ C$
 Max. relative humidity: 95%
 Dielectric strength (IEC 60688): AC 2KV/1 minute
 Input/output/power terminals
 AC 3KV/1 minute, All terminals to case

• Electromagnetic compatibility

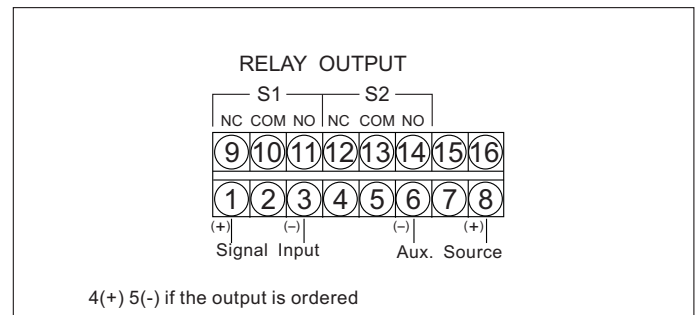
Electrostatic discharge: IEC 61000-4-2
 Electromagnetic fields immunity: IEC 61000-4-3
 Electrical transient in burst: IEC 61000-4-4
 Withstanding impulse voltage: IEC 61000-4-5
 Immunity to voltage dips: IEC 61000-4-11

OUTSIDE DIMENSION (UNIT:mm)



• PANEL CUT-OUT

CONNECTION DIAGRAM



ORDERING INFORMATION

S2-400A-

Mode	Input	Measuring Range	Output	Aux. Source	Option
1: Hi	D: DC	P1: 0 ~ 50mV	A7: 0 ~ 1A	V2: 1~5V	A: Auto-zero
2: Hi-Lo	A: AC	P2: 0 ~ 60mV	A8: 0 ~ 5A	V4: 0~10V	H: Data hold
3: Hi-HiHi	T: TRMS	P3: 0 ~ 5V	V6: 0 ~ 110V	A2: 0~1mA	D: Exciting DC 24V
4: LoLo-Lo	R: Pt100	P4: 1 ~ 5V	V7: 0 ~ 220V	A3: 0~20mA	S: Start delay
	K: K TYPE	P5: 0 ~ 10V	T1: 0 ~ 400°C	A4: 4~20mA	O: Set delay
	0: Option	P6: 0 ~ 1mA	T2: 0 ~ 1200°C	NO: None	N: None
		P7: 4 ~ 20mA	00: Option	00: Option	
		P8: 0 ~ 20mA			