

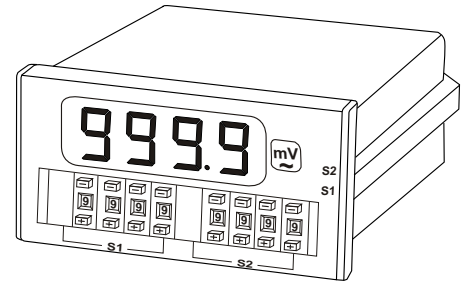


4 DIGITAL METER RELAY

**MODEL
S2-400A**

FEATURES

- 4 display: 9999
- Accuracy: $\pm 0.05\%$ to $\pm 0.15\%$
- SPDT relay contact output
- Easy-to-wire. screw-type terminals
- Outside dimension is DIN standard (96x48mm)
- 9999 digits setting for Hi & Lo



SPECIFICATION

• Direct Input

Variable to be Measured	Measuring Range	Input Impedance	Resolution
DC	999.9 μ A	1K Ω	0.1 μ A
	9.999mA	100 Ω	0.001mA
	99.99mA	10 Ω	0.01mA
	999.9mA	1 Ω	0.1mA
	9.999A	0.1 Ω	0.001A
AC	15.00A	0.1 Ω	0.01A
	999.9mV	$\geq 1M\Omega$	0.1mV
TRMS	9.999V	$\geq 1M\Omega$	0.001V
	99.99V	$\geq 1M\Omega$	0.01V
	750V	$\geq 3M\Omega$	0.1V

• Ratio Input (Secondary of CT, PT)

Variable to be Measured	Input Range	Input Impedance	Display Range
AC	0~1A	0.1 Ω	Appointed as primary value of CT, PT
	0~5A	0.1 Ω	
TRMS	0~110V	$\geq 1M\Omega$	
	0~220V	$\geq 1M\Omega$	

• Receiving Meter

Variable to be Measured	Input Range	Input Impedance	Display Range
DC	0 ~ 50mV	$\geq 5M\Omega$	Appointed
	0 ~ 60mV	$\geq 5M\Omega$	
	0 ~ 5V	$\geq 1M\Omega$	
AC	1 ~ 5V	$\geq 1M\Omega$	
	0 ~ 10V	$\geq 1M\Omega$	
TRMS	0 ~ 1mA	100 Ω	
	4 ~ 20mA	10 Ω	

Display 14.2mm (0.56") H, red LED

Max. Input over capability Amp. 3 x rated continuous
10 x rated 30 seconds
50 x rated 1 seconds
Volt. 750V continuous

Accuracy DC range $\pm 0.05\%$ F.S. ± 2 digit
AC range $\pm 0.15\%$ F.S. ± 2 digit
(Option: Depending on actual measuring)

Measuring mode Dual Slope

Sampling time Abt. 0.8 sec. typically

Over input indication " display flash "

Aux. power source AC 110V/220V $\pm 10\%$, 50/60Hz
DC 24V, 48V, 110V $\pm 15\%$

Power consumption \leq AC 4VA

Control mode Hi & Lo, S2 = Hi, S1 = Lo
Hi & HiHi, S1 = Hi, S2 = HiHi
LoLo & Lo, S1 = LoLo, S2 = Lo

Setting range 0 ~ 9999

Output SPDT relay contact, AC 110V, 220V, DC 24V, 3A

Option function • Dead zone (zero), 2% F.S.
• Time delay for start & setting
0 ~ 30 sec. Typically

Sensor power supply DC 12V or 24V 30mA
(Option function)

Operating temperature range 0~60 $^{\circ}$ C

Storage temperature range -10~70 $^{\circ}$ C

Temperature coefficient ≤ 100 PPM/ $^{\circ}$ C

Max. relative humidity 95%

Dielectric strength (IEC 688) AC 2KV/1 minute
Input to power terminals
AC 3KV/1 minute
All terminals to case

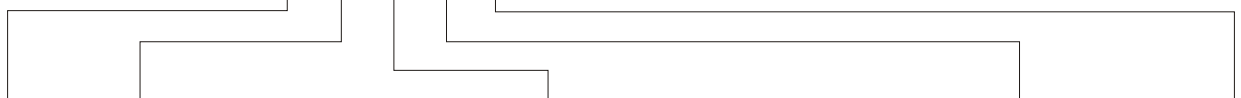
Impulse (IEC 255-4) Common mode 1.2 x 50 μ S 4 KV

Connection diagram See next page, figure D.

Dimensions See next page, figure 02.

ORDERING INFORMATION

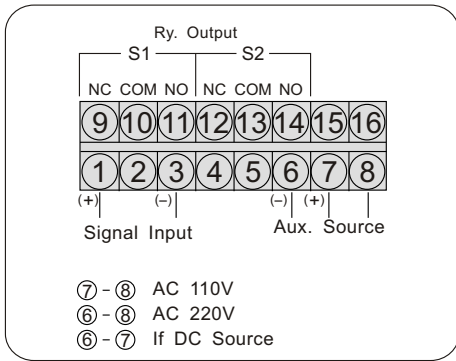
S2-400A- [] [] [] [] []



Control Mode	Input Signal	Measuring Range				Aux. Power Source	Option
1: Hi	D: DC	A1: 999.9 μ A	V1: 999.9mV	V6: 0~110V	P4: 1~5V	1: AC 110V/220V	N: None
2: Hi-Lo	A: AC	A2: 9.999mA	V2: 9.999V	V7: 0~220V	P5: 0~10V	2: DC 110V	S: Start delay
3: Hi-HiHi	T: TRMS	A3: 99.99mA	V3: 99.99V	P1: 0~50mV	P6: 0~1mA	3: DC 48V	O: Set delay
4: LoLo-Lo		A4: 999.9mA	V4: 750V	P2: 0~60mV	P7: 4~20mA	4: DC 24V	
		A5: 9.999A	A7: 0 ~ 1A	P3: 0~5V	00: Option	0: Option	
		A6: 15.00A	A8: 0 ~ 5A				

CONNECTION DIAGRAMS

Figure D.



OUTSIDE DIMENSION (UNIT:mm)

Figure 02.

• PANEL CUT-OUT

