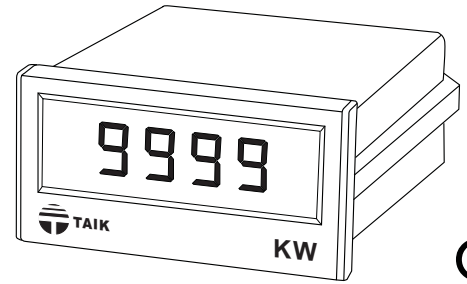




## FEATURES

- 4 digits display: ±9999
- Accuracy: ±0.25%
- Programmable process rate monitor
- Precision measurement even for unbalance system
- Input/Output/Power/Case is isolated
- Outside dimension is DIN standard (96x48mm)



## SPECIFICATION

### • Input

Circuit	AC Input		Basic Watt/VAR
	Voltage	Ampere	
Single Phase	110V	5A	0.5KW/±0.5KVAR
	220V		1KW/±1KVAR
3-Phase, 3-Wire	110V		1KW/±1KVAR
	220V		2KW/±2KVAR
3-Phase, 4-Wire	3√110V/110V		1.5KW/±1.5KVAR
	3√220V/220V		3KW/±3KVAR

### • Output

DC Output Range	Load Resistance	Output Resistance	Output Ripple	Response Time
0 ~ 1V	≥ 1KΩ	≤ 0.05Ω	≤ 0.5% RO. (Peak)	≤ 400mS 0 ~ 99%
0 ~ 5V				
1 ~ 5V				
0 ~ 10V				
0 ~ 1mA	0 ~ 10KΩ	≥ 20MΩ		
0 ~ 10mA	0 ~ 1KΩ	≥ 5MΩ		
0 ~ 20mA	0 ~ 500Ω			
4 ~ 20mA				

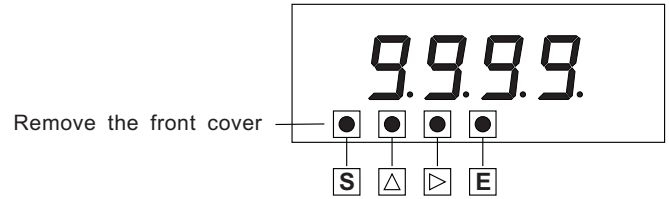
### • Communication

Interface ..... RS 485  
 Protocol ..... MODBUS, RTU framing  
 Baud rate ..... 1200 ~ 38400  
 Address range ..... 1 ~ 255  
 Data format ..... N82, O81, E81, N81

### • General

Display ..... 14.2mm (0.56") H, red LED  
 Max. input over capability ..... Amp. 2 x rated continuous  
 10 x rated 30 seconds  
 Volt. 1.5 x rated continuous  
 Accuracy ..... ± 0.25% F.S. ± 3 digits, PF ≥ 0.5, indicator  
 ± 0.25% RO., PF ≥ 0.5, output  
 Input burden ..... Volt, input ≤ 0.5VA/Phase  
 Amp. Input ≤ 0.1VA/Phase  
 Input frequency range ..... 45 ~ 70Hz  
 Sampling time ..... Abt. 0.8 sec.  
 Aux. power source ..... AC/DC 85 ~ 265V  
 DC 20 ~ 60V  
 Power consumption ..... ≤ AC 6.5VA, ≤ DC 5W  
 Power effect ..... ≤ 0.1%  
 Waveform effect ..... ≤ 0.2%, at distortion factor 15%  
 Output load effect ..... ≤ 0.05% RO.  
 Magnetic field strength ..... ≤ 0.2%, 400A/M.  
 Operating temperature range ..... 0 ~ 60°C  
 Storage temperature range ..... -10 ~ 70°C  
 Temperature coefficient ..... ≤ 150PPM/°C  
 Max. relative humidity ..... 95%  
 Dielectric strength (IEC 688) ..... AC 2KV/1 minute  
 Input/output/power terminals  
 AC 3KV/1 minute  
 All terminals to case  
 Connection diagram ..... See page 23, Figure G.  
 Dimensions ..... See page 23, Figure 01.

### • Display (Programmable process)



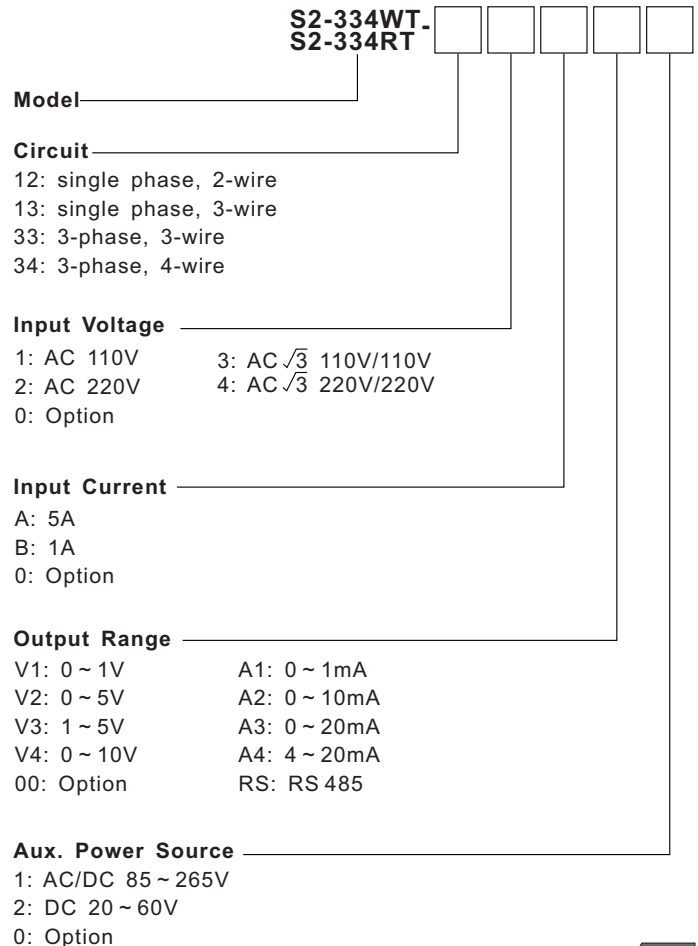
- [S]: Press [S] to enter the setting process
- [Δ]: Press [Δ] to change the value as required
- [▷]: Press [▷] to move on the LED digit as required
- [E]: Press [E] to confirm the setting value and function

\* All details on operation must refer to the instruction manual

### • Electromagnetic compatibility

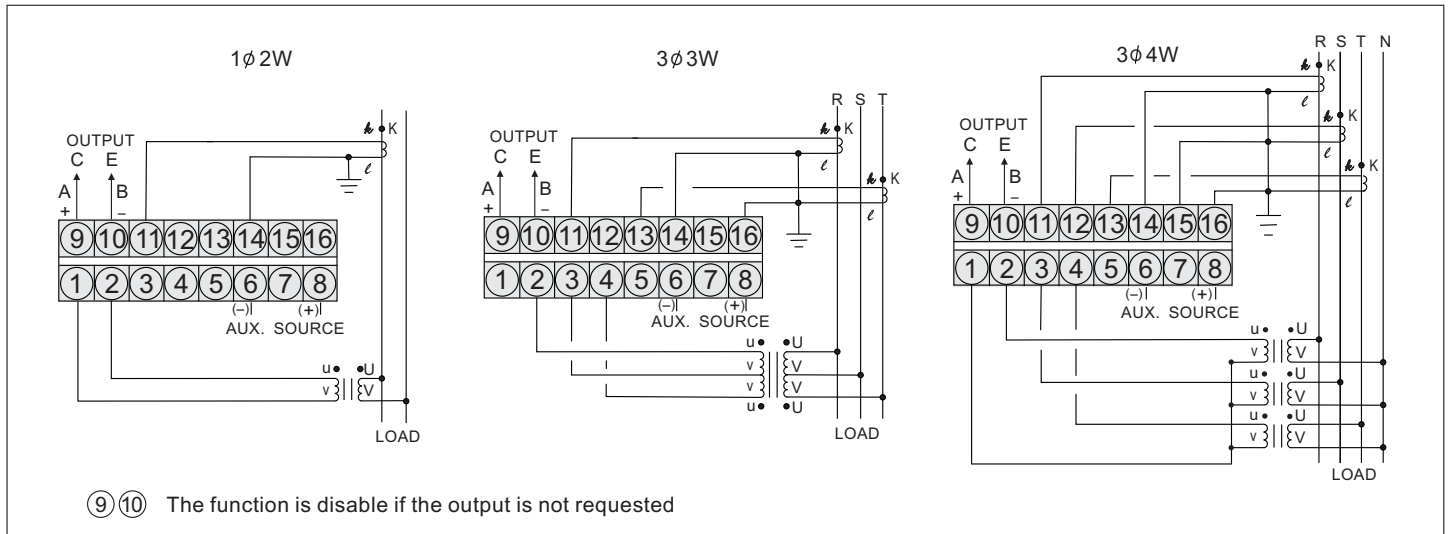
Electrostatic discharge ..... IEC 61000-4-2  
 Electromagnetic fields immunity ..... IEC 61000-4-3  
 Electrical transient in burst ..... IEC 61000-4-4  
 Withstanding impulse voltage ..... IEC 61000-4-5  
 Immunity to voltage dips ..... IEC 61000-4-11

## ■ ORDERING INFORMATION



# CONNECTION DIAGRAMS

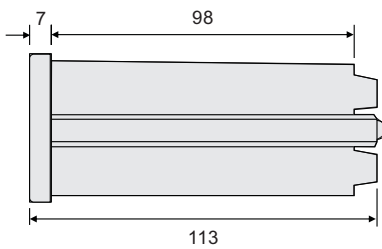
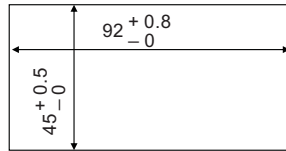
Figure G.



# OUTSIDE DIMENSION (UNIT:mm)

Figure 01.

• PANEL CUT-OUT



## TAIK ELECTRIC CO., LTD.

4TH FL., NO.5, ALLEY 11, LANE 327, CHUNGSHAN RD., SEC.2,  
CHUNGHE DISTRICT, NEW TAIPEI CITY, TAIWAN, R.O.C.

TEL: 886-2-22426825 E-mail: taikco@ms15.hinet.net  
FAX: 886-2-22426827 http://www.taik.com.tw