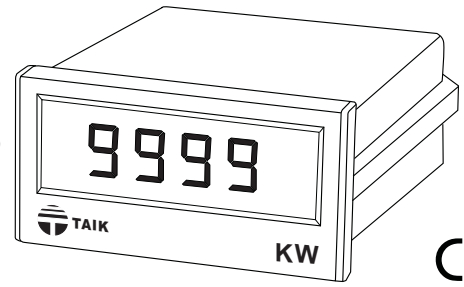




## FEATURES

- 4 digits display:  $\pm 9999$
- Accuracy:  $\pm 0.25\%$
- Programmable adjustment for current, voltage transformers ratio
- Precision measurement even for unbalance system
- Easy-to-wire. screw-type terminals
- Outside dimension is DIN standard (96x48mm)

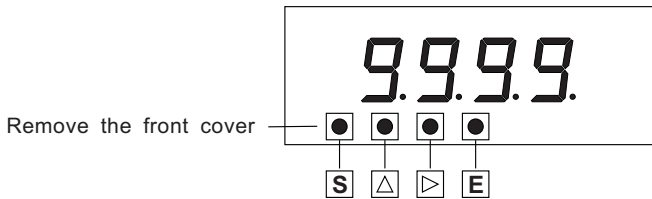


## SPECIFICATION

### • Input

Circuit	AC Input		Basic Watt/VAR
	Voltage	Ampere	
Single Phase	110V	5A	0.5KW/±0.5KVAR
	220V		1KW/±1KVAR
3-Phase, 3-Wire	110V		1KW/±1KVAR
	220V		2KW/±2KVAR
3-Phase, 4-Wire	$3\sqrt{110V/110V}$		1.5KW/±1.5KVAR
	$3\sqrt{220V/220V}$		3KW/±3KVAR

### • Display (Programmable process)



- [S]: Press [S] to enter the setting process
- [Δ]: Press [Δ] to change the value as required
- [▷]: Press [▷] to move on the LED digit as required
- [E]: Press [E] to confirm the setting value and function

\* All details on operation must refer to the instruction manual

### • Electromagnetic compatibility

Electrostatic discharge	IEC 61000-4-2
Electromagnetic fields immunity	IEC 61000-4-3
Electrical transient in burst	IEC 61000-4-4
Withstanding impulse voltage	IEC 61000-4-5
Immunity to voltage dips	IEC 61000-4-11

Display	14.2mm (0.56") H, red LED
Max. input over capability	Amp. 3 x rated continuous 10 x rated 30 seconds 50 x rated 1 second Volt. 750V continuous
Accuracy	$\pm 0.25\%$ F.S. $\pm 3$ digits, PF $\geq 0.5$ (Option: Depending on actual measuring)
Input burden	Volt. input $\leq 0.5VA/Phase$ Amp. Input $\leq 0.1VA/Phase$
Input frequency range	45 ~ 70HZ
Sampling time	Abt. 0.8 sec. Typically
Polarity	Only "-" display
Aux. power source	AC/DC 85 ~ 265V DC 20 ~ 60V
Power consumption	$\leq AC 6.5VA, \leq DC 5W$
Power effect	$\leq 0.1\%$
Operating temperature range	0 ~ 60°C
Storage temperature range	-10 ~ 70°C
Temperature coefficient	$\leq 150PPM/°C$
Max. relative humidity	95%
Dielectric strength (IEC 60688)	AC 2KV/1 minute Input to power terminals AC 3KV/1 minute All terminals to case
Connection diagram	See page 23, figure G.
Dimensions	See page 23, figure 01.

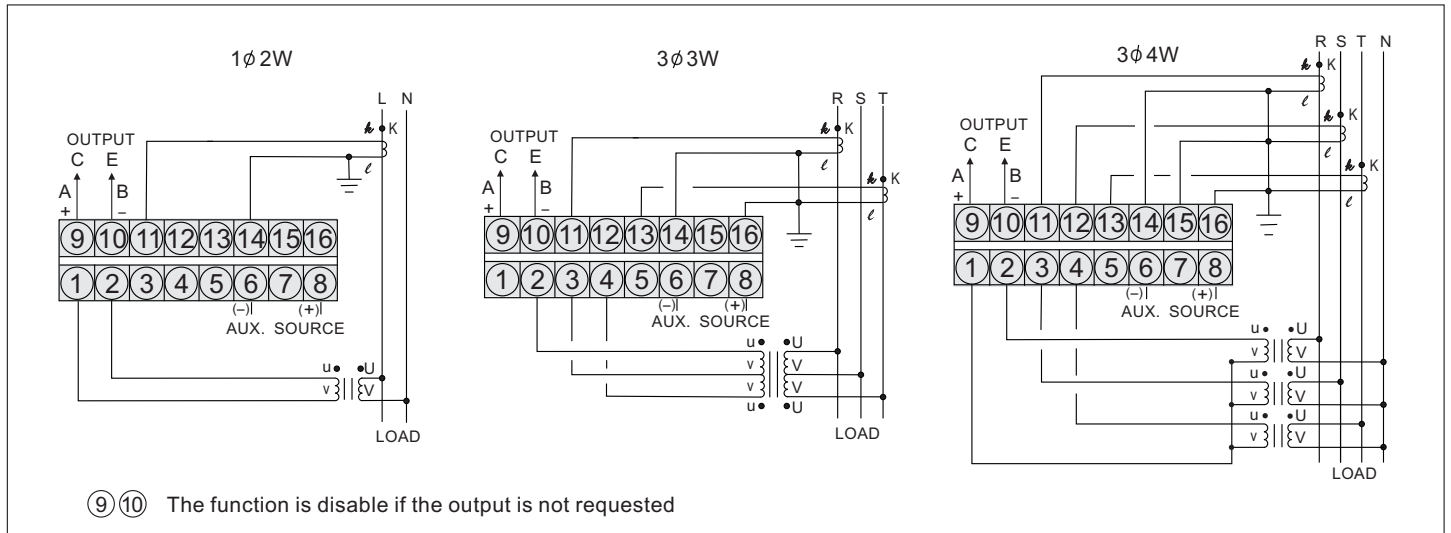
## ORDERING INFORMATION

S2-334W-  
S2-334R-  
□ □ □ □

Circuit	Input Voltage	Input Current	Aux. Power Source
12: single phase, 2-wire 13: single phase, 3-wire 33: 3-phase, 3-wire 34: 3-phase, 4-wire	1: AC 110V 2: AC 220V 3: AC $\sqrt{3}110V/110V$ 4: AC $\sqrt{3}220V/220V$ 0: Option	A: AC 5A B: AC 1A 0: Option	1: AC /DC 85 ~ 265V 2: DC 20 ~ 60V 0: Option

# CONNECTION DIAGRAMS

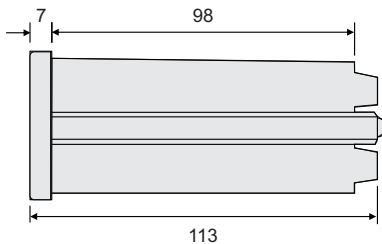
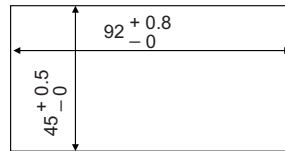
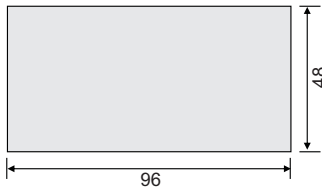
Figure G.



# OUTSIDE DIMENSION (UNIT:mm)

Figure 01.

• PANEL CUT-OUT



**TAIK ELECTRIC CO., LTD.**

4 THFL., NO. 5 , ALLEY 11 , LANE 327 , CHUNG SHAN RD. ,  
 SEC.2,CHUNGHE DISTRICT, NEW TAIPEI CITY,TAIWAN,R.O.C.  
 TEL:(02)2242-6825 E-mail:taikc0@ms15.hinet.net  
 FAX:(02)2242-6827 http://www.taik.com.tw



ISO 9001  
 FM 40649