

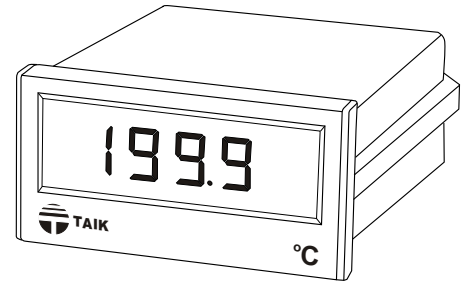


DIGITAL TEMPERATURE METER

MODEL
S2-312T

FEATURES

- Accuracy: $\pm 0.25\%$ F.S.
- Easy-to-wire. screw-type terminals
- Cold junction compensated
- J、K、T、E、R thermocouple selection
- Outside dimension is DIN standard (96x48mm)



SPECIFICATION

• Direction Input

Input Mode		Measuring Range	Resolution
T/C	K	-200 ~ 1200°C	1°C
		-328 ~ 1999°F	1°F
	J	-200 ~ 754°C	1°C
		-328 ~ 1390°F	1°F
	T	-200 ~ 400°C	1°C
		-328 ~ 752°F	1°F
	E	-200 ~ 999°C	1°C
		-328 ~ 1830°F	1°F
	R	0 ~ 1600°C	1°C
		0 ~ 1999°F	1°F
RTD	Pt-100	-200 ~ 850°C	1°C
		-328 ~ 1562°F	1°F
		-199.9 ~ 199.9°C	0.1°C
		-199.9 ~ 199.9°F	0.1°F

- Accuracy..... $\pm 0.25\%$ F.S. ± 1 digit
(Option: Depending on actual measuring)
- Sampling time..... Abt. 0.8 sec. typically
- Over input indication..... "1"
- Aux. power source..... AC 110V/220V $\pm 10\%$, 50/60Hz
DC 24V, 48V, 110V $\pm 15\%$
- Power consumption..... \leq AC 3VA
- Operating temperature range 0~60°C
- Storage temperature range..... -10~70°C
- Temperature coefficient..... ≤ 100 PPM/°C
- Max. relative humidity 95%
- Dielectric strength (IEC 688) AC 2KV/1 minute
Input / power /output terminals
AC 3KV/1 minute
All terminals to case
- Impulse (IEC 255-4) Common mode 1.2x50 μ S 4 KV
- Display 14.2mm (0.56") H, red LED
- Polarity display Only "-" display
- Connection diagram..... See next page, figure E.
- Dimensions..... See next page, figure 01.

ORDERING INFORMATION

S2-312T-

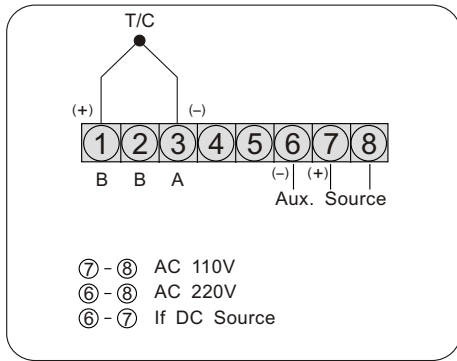
Type	Measuring Range		DC Output	Aux. Power Source
1: K TYPE	A: -100 ~ 400°C	H: 0 ~ 200°C	V2: 0 ~ 5V	1: AC 110V/220V
2: J TYPE	B: -50 ~ 100°C	I: 0 ~ 300°C	V3: 1 ~ 5V	2: DC 110V
3: T TYPE	C: -50 ~ 50°C	J: 0 ~ 400°C	V4: 0 ~ 10V	3: DC 48V
4: E TYPE	D: -100 ~ 50°C	K: 0 ~ 1000°C	A1: 0 ~ 1mA	4: DC 24V
5: R TYPE	E: -10 ~ 100°C	L: 0 ~ 1200°C	A4: 4 ~ 20mA	0: Option
6: Pt100	F: 0 ~ 50°C	M: 0 ~ 1400°C	N: None	
7: Option	G: 0 ~ 100°C	O: Option	O: Option	

• EXAMPLE

Input mode : Pt 100
 Input temperature : 0~100°C
 Output : DC 4 ~ 20mA
 Aux. power source : AC 110/220V
 Ordering model : S2-312T-6G A41

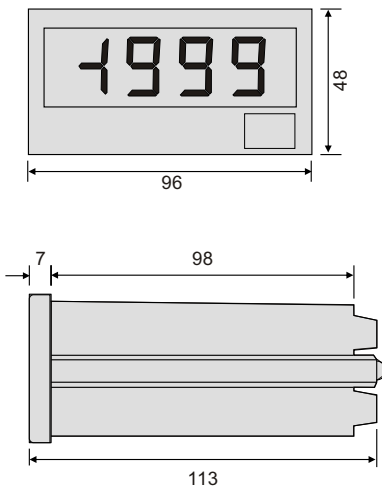
CONNECTION DIAGRAMS

Figure E.



OUTSIDE DIMENSION (UNIT:mm)

Figure 01.



• PANEL CUT-OUT

