

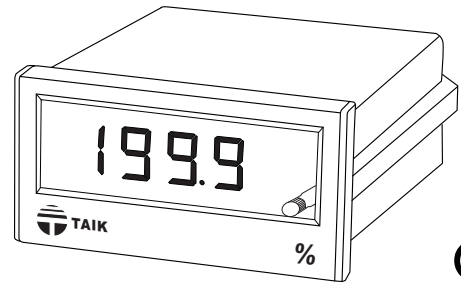


SIGNAL SETTING METER

MODEL
S2-312ST

FEATURES

- 3 1/2 display: 1999
- Accuracy: $\pm 0.2\%$
- Easy-to-wire. screw-type terminals
- Outside dimension is DIN standard (96x48mm)
- Low cost



SPECIFICATION

• Output

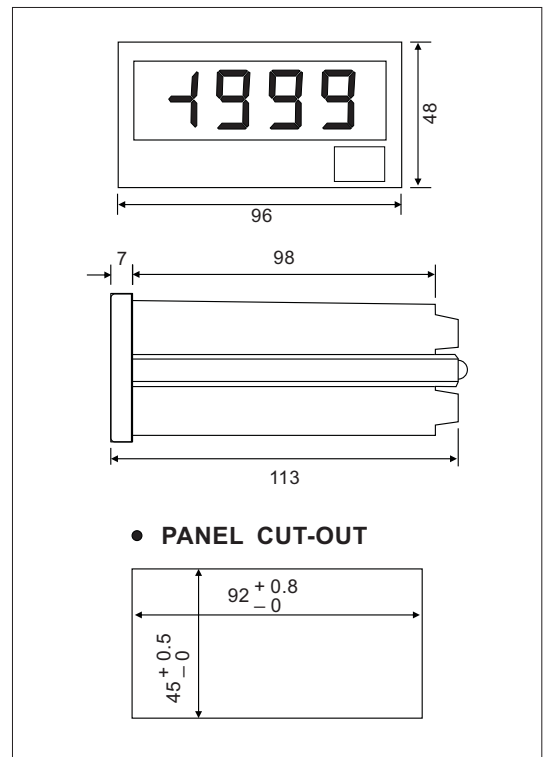
DC Output Range	Load Resistance	Output Resistance	Output Ripple	Response Time
0 ~ 1V	$\geq 1K\Omega$	$\leq 0.05\Omega$	$\leq 0.5\%$ RO. (Peak)	$\leq 400mS$ 0 ~ 99%
0 ~ 5V				
1 ~ 5V				
0 ~ 10V				
0 ~ 1mA	0 ~ 10K Ω	$\geq 20M\Omega$		
0 ~ 10mA	0 ~ 1K Ω	$\geq 5M\Omega$		
0 ~ 20mA	0 ~ 500 Ω			
4 ~ 20mA				

Display 14.2mm (0.56") H, red LED
 Accuracy $\pm 0.2\%$ F.S. ± 1 digit
 (Option: Depending on actual measuring)
 Measuring mode Dual Slope
 Sampling time Abt. 0.8 sec. typically
 Over input indication "1"
 Polarity Only "-" display
 Aux. power source AC 110V/220V $\pm 15\%$, 50/60Hz
 DC 24V, 48V, 110V $\pm 10\%$
 Power consumption $\leq AC 3VA$, $\leq DC 3W$
 Operating temperature range 0~60°C
 Storage temperature range -10~70°C
 Temperature coefficient $\leq 100PPM/^\circ C$
 Max. relative humidity 95%
 Dielectric strength (IEC 60688) AC 2KV/1 minute
 Input to power terminals
 AC 3KV/1 minute
 All terminals to case

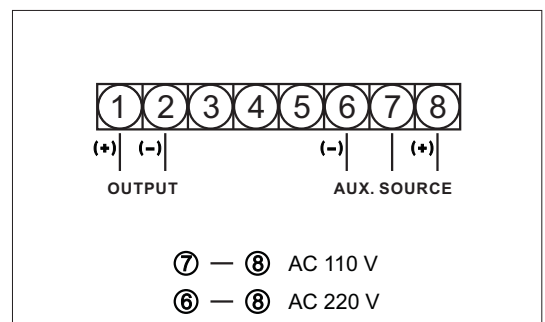
• Electromagnetic compatibility

Withstanding impulse voltage IEC 61000-4-5

OUTSIDE DIMENSION (UNIT:mm)



CONNECTION DIAGRAM



ORDERING INFORMATION

S2-312ST-

DC Output Range		Display Range	Aux. Power Source
V1: 0 ~ 1V	A1: 0 ~ 1mA	A: 0.0 ~ 100.0%	1: AC 110V/220V
V2: 0 ~ 5V	A2: 0 ~ 10mA	B: 0.00 ~ 19.99mA	2: DC 110V
V3: 1 ~ 5V	A3: 0 ~ 20mA	C: 4.00 ~ 19.99mA	3: DC 48V
V4: 0 ~ 10V	A4: 4 ~ 20mA	D: 1.00 ~ 5.00V	4: DC 24V
00: Option		0: Option	0: Option