

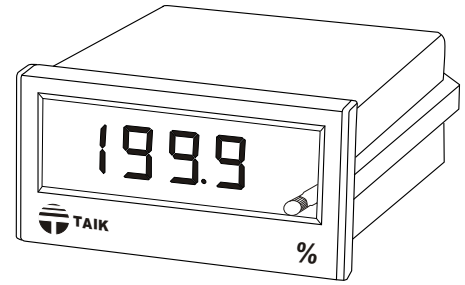


# SIGNAL SETTING METER

MODEL  
S2-312ST

## FEATURES

- 3 1/2 display: 1999
- Accuracy:  $\pm 0.2\%$
- Easy-to-wire. screw-type terminals
- Outside dimension is DIN standard (96x48mm)
- Low cost



## SPECIFICATION

### • OUTPUT

DC Output Range	Load Resistance	Output Resistance	Output Ripple	Response Time
0 ~ 1V	$\geq 1K\Omega$	$\leq 0.05\Omega$	$\leq 0.5\%$ RO. (Peak)	$\leq 400mS$ 0 ~ 99%
0 ~ 5V				
1 ~ 5V				
0 ~ 10V				
0 ~ 1mA	0 ~ 10K $\Omega$	$\geq 20M\Omega$		
0 ~ 10mA	0 ~ 1K $\Omega$	$\geq 5M\Omega$		
0 ~ 20mA	0 ~ 500 $\Omega$			
4 ~ 20mA				

Display .....	14.2mm (0.56") H, red LED
Accuracy .....	$\pm 0.2\%$ F.S. $\pm 1$ digit (Option: Depending on actual measuring)
Measuring mode .....	Dual Slope
Sampling time .....	Abt. 0.8 sec. typically
Over input indication .....	"1"
Polarity .....	Only "-" display
Aux. power source .....	AC 110V/220V $\pm 10\%$ , 50/60Hz
Power consumption .....	$\leq AC 3VA$ , $\leq DC 3W$
Operating temperature range .....	0~60°C
Storage temperature range .....	-10~70°C
Temperature coefficient .....	$\leq 100PPM/^{\circ}C$
Max. relative humidity .....	95%
Dielectric strength (IEC 688) .....	AC 2KV/1 minute Input to power terminals AC 3KV/1 minute All terminals to case
Impulse (IEC 255-4) .....	Common mode 1.2 x 50 $\mu S$ 4 KV
Connection diagram .....	See next page, figure A.
Dimensions .....	See next page, figure 01.

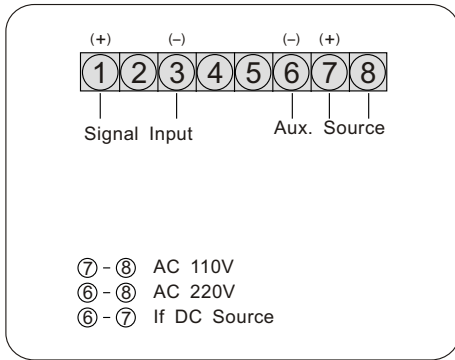
## ORDERING INFORMATION

S2-312ST-

DC Output Range	Display Range	Aux. Power Source
V1: 0 ~ 1V V2: 0 ~ 5V V3: 1 ~ 5V V4: 0 ~ 10V	A1: 0 ~ 1mA A2: 0 ~ 10mA A3: 0 ~ 20mA A4: 4 ~ 20mA	A: 0.0 ~ 100.0% B: 0.00 ~ 19.99mA C: 4.00 ~ 19.99mA D: 1.00 ~ 5.00V
		1: AC 110V/220V 0: Option

# CONNECTION DIAGRAMS

Figure A.



# OUTSIDE DIMENSION (UNIT:mm)

Figure 01.

● PANEL CUT-OUT

