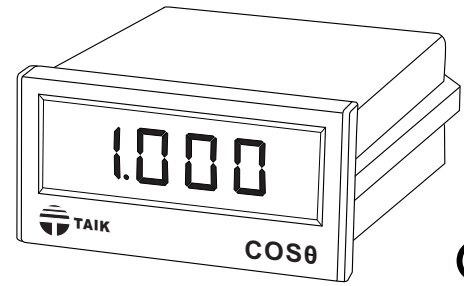




FEATURES

- Resolution 0.001 COS θ
- Precision measurement even for unbalance system
- Input/Output/Power/Case is isolated
- Outside dimension is DIN standard (96x48mm)



SPECIFICATION

• Input

Circuit	AC Input		Display
	Voltage	Ampere	
Single Phase	110V	5A • 1A	-0.5 ~ 1 ~ 0.5 (COS θ)
	220V		
3-Phase, 3-Wire	110V		
	220V		
3-Phase, 4-Wire	$\sqrt{3}$ 110V/110V		
	$\sqrt{3}$ 220V/220V		

• Output

DC Output Range	Load Resistance	Output Resistance	Output Ripple	Response Time
- 1 ~ 0 ~ 1V	$\geq 1K\Omega$	$\leq 0.05\Omega$	$\leq 0.5\%$ R.O. (Peak)	$\leq 400mS$ 0 ~ 99%
- 5 ~ 0 ~ 5V				
1 ~ 3 ~ 5V				
0 ~ 5 ~ 10V				
- 1 ~ 0 ~ 1mA	0 ~ 10K Ω	$\geq 20M\Omega$	$\leq 0.5\%$ R.O. (Peak)	$\leq 400mS$ 0 ~ 99%
- 10 ~ 0 ~ 10mA	0 ~ 1K Ω	$\geq 5M\Omega$		
0 ~ 10 ~ 20mA	0 ~ 500 Ω			
4 ~ 12 ~ 20mA				

• Communication

Interface.....RS 485
 Protocol MODBUS, RTU framing
 Baud rate 1200 ~ 38400
 Address range 1 ~ 255
 Data format N82, O81, E81, N81

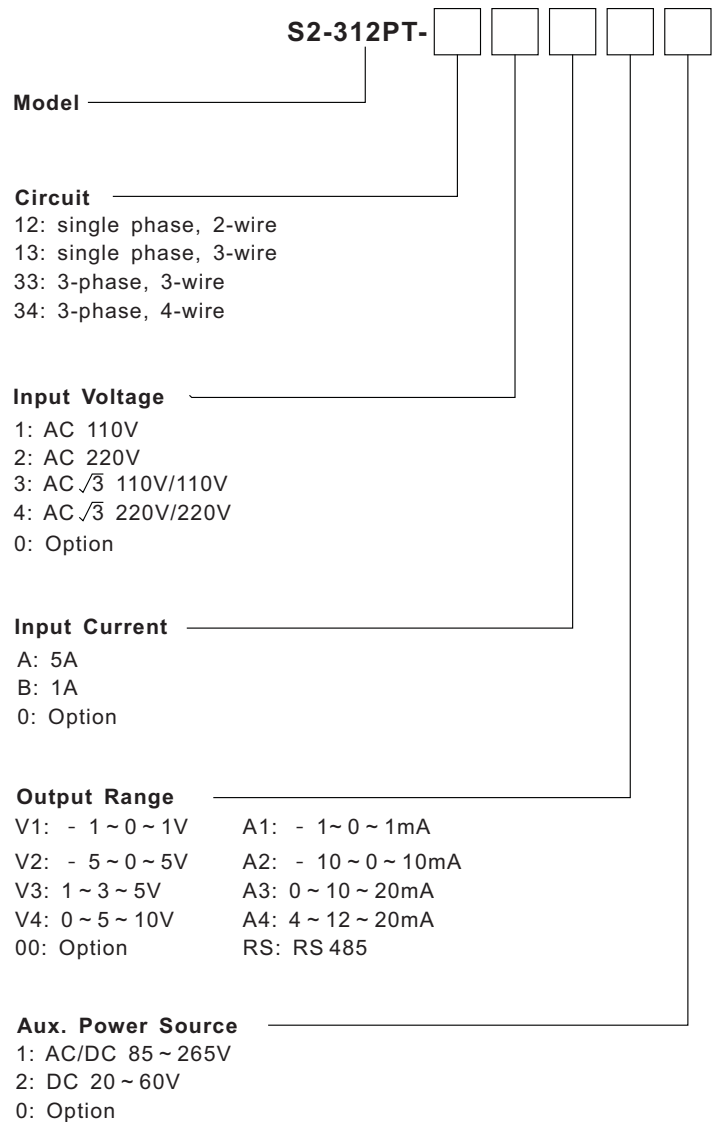
• General

Display 14.2mm (0.56") H, red LED
 Max. input over capability..... Amp. 2 x rated continuous
 10 x rated 30 seconds
 Volt. 1.5 x rated continuous
 Accuracy $\pm 0.5\%$ F.S. $\pm 0.3^\circ$, indicator
 $\pm 0.5\%$ RO. $\pm 0.3^\circ$, output
 Input burden Volt. input ≤ 0.5 VA/Phase
 Amp. Input ≤ 0.1 VA/Phase
 Input frequency range..... 45 ~ 70Hz
 Sampling time Abt. 0.8 sec.
 Polarity display "-" is LEAD side, Blank is LAG side
 Aux. power source AC/DC 85 ~ 265V
 DC 20 ~ 60V
 Power consumption..... $\leq AC$ 6.5VA, $\leq DC$ 5W
 Waveform effect..... ≤ 0.02 PF
 Output load effect $\leq 0.05\%$ RO.
 Magnetic field strength ≤ 0.02 PF, 400A/M.
 Operating temperature range..... 0 ~ 60 $^\circ C$
 Storage temperature range..... - 10 ~ 70 $^\circ C$
 Max. relative humidity 95%
 Dielectric strength (IEC 60688)..... AC 2KV/1 minute
 Input/output/power terminates
 AC 3KV/1 minute
 All terminals to case
 Connection diagram..... See page 23, figure G.
 Dimensions See page 23, figure 01.

• Electromagnetic compatibility

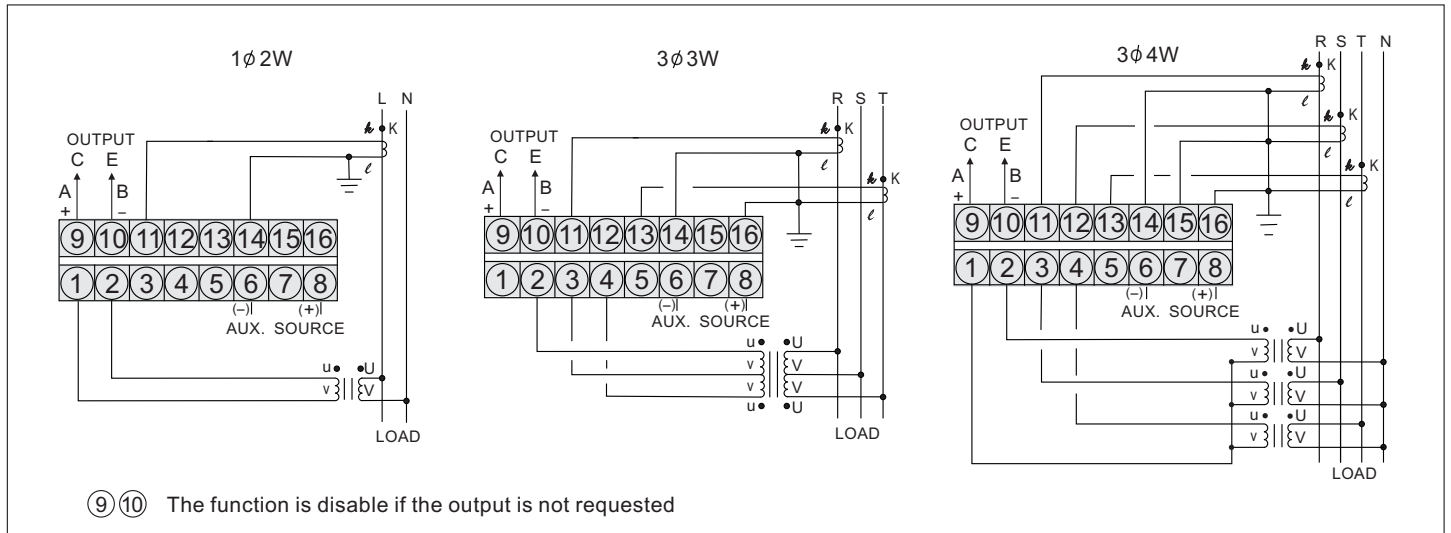
Electrostatic discharge..... IEC 61000-4-2
 Electromagnetic fields immunity IEC 61000-4-3
 Electrical transient in burst IEC 61000-4-4
 Withstanding impulse voltage..... IEC 61000-4-5
 Immunity to voltage dips IEC 61000-4-11

ORDERING INFORMATION



CONNECTION DIAGRAMS

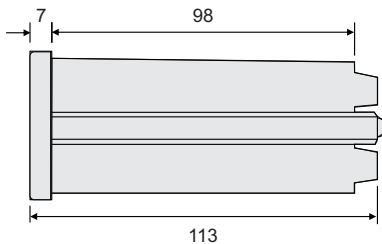
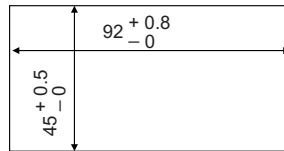
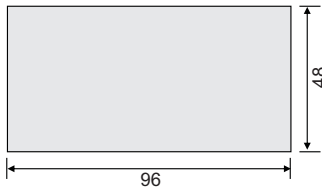
Figure G.



OUTSIDE DIMENSION (UNIT:mm)

Figure 01.

• PANEL CUT-OUT



TAIK ELECTRIC CO.,LTD.

4 THFL., NO. 5 , ALLEY 11 , LANE 327 , CHUNG SHAN RD. ,
 SEC.2,CHUNGHE DISTRICT, NEW TAIPEI CITY,TAIWAN,R.O.C.
 TEL:(02)2242-6825 E-mail:taikc0@ms15.hinet.net
 FAX:(02)2242-6827 http://www.taik.com.tw



ISO 9001
 FM 40649