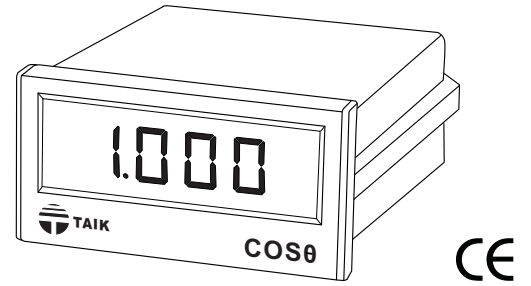




FEATURES

- Resolution 0.001 COS θ
- Precision measurement even for unbalance system
- Input/Output/Power/Case is isolated
- Outside dimension is DIN standard (96x48mm)



SPECIFICATION

• Input

Circuit	AC Input		Display
	Voltage	Ampere	
Single Phase	110V	5A • 1A	- 0.5 ~ 1 ~ 0.5 (COS θ)
	220V		
3-Phase, 3-Wire	110V		
	220V		
3-Phase, 4-Wire	$\sqrt{3}$ 110V/110V		
	$\sqrt{3}$ 220V/220V		

• Output

DC Output Range	Load Resistance	Output Resistance	Output Ripple	Response Time
- 1 ~ 0 ~ 1V	$\geq 1K\Omega$	$\leq 0.05\Omega$	$\leq 0.5\%$ RO. (Peak)	$\leq 400mS$ 0 ~ 99%
- 5 ~ 0 ~ 5V				
1 ~ 3 ~ 5V				
0 ~ 5 ~ 10V				
- 1 ~ 0 ~ 1mA	0 ~ 10K Ω	$\geq 20M\Omega$		
- 10 ~ 0 ~ 10mA	0 ~ 1K Ω	$\geq 5M\Omega$		
0 ~ 10 ~ 20mA	0 ~ 500 Ω			
4 ~ 12 ~ 20mA				

• Communication

Interface RS 485
Protocol MODBUS, RTU framing
Baud rate 1200 ~ 38400
Address range 1 ~ 255
Data format N82, O81, E81, N81

• General

Display 14.2mm (0.56") H, red LED
Max. input over capability Amp. 2 x rated continuous
10 x rated 30 seconds
Volt. 1.5 x rated continuous
Accuracy $\pm 0.5\%$ F.S. $\pm 0.3^\circ$, indicator
 $\pm 0.5\%$ RO. $\pm 0.3^\circ$, output
Input burden Volt. input ≤ 0.5 VA/Phase
Amp. Input ≤ 0.1 VA/Phase
Input frequency range 45 ~ 70Hz
Sampling time Abt. 0.8 sec.
Polarity display "-" is LEAD side, Blank is LAG side
Aux. power source AC/DC 85 ~ 265V
DC 20 ~ 60V
Power consumption $\leq AC$ 6.5VA, $\leq DC$ 5W
Waveform effect ≤ 0.02 PF
Output load effect $\leq 0.05\%$ RO.
Magnetic field strength ≤ 0.02 PF, 400A/M.
Operating temperature range 0 ~ 60°C
Storage temperature range - 10 ~ 70°C
Max. relative humidity 95%
Dielectric strength (IEC 688) AC 2KV/1 minute
Input/output/power terminates
AC 3KV/1 minute
All terminals to case

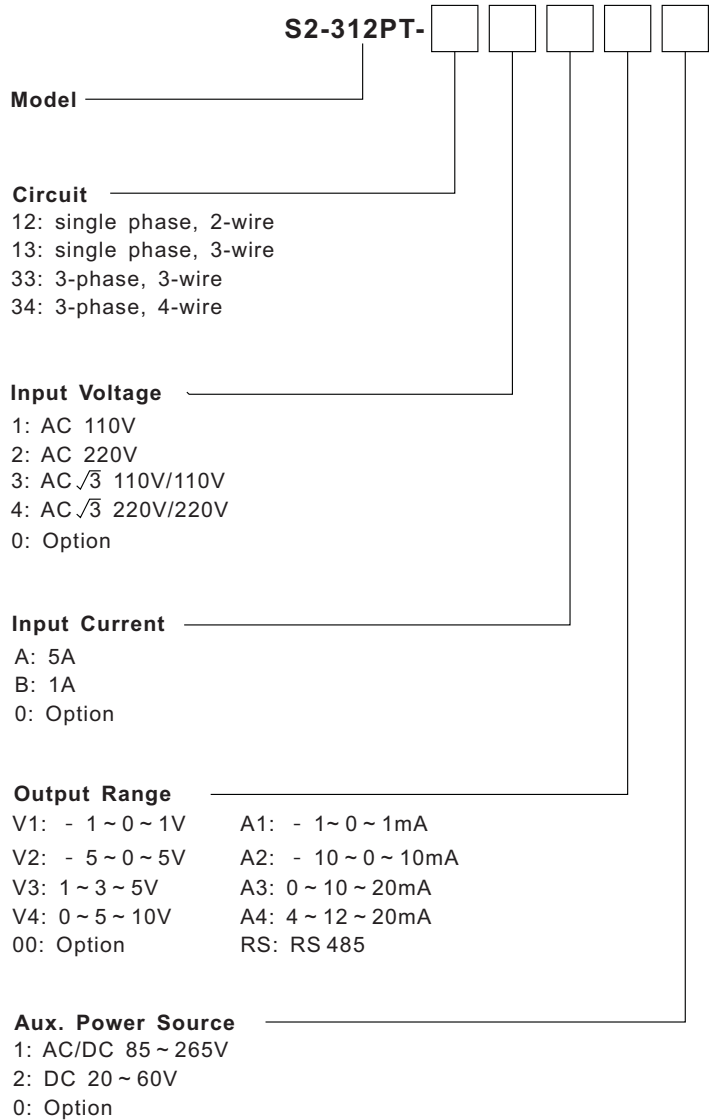
Connection diagram See page 23, figure G.

Dimensions See page 23, figure O1.

• Electromagnetic compatibility

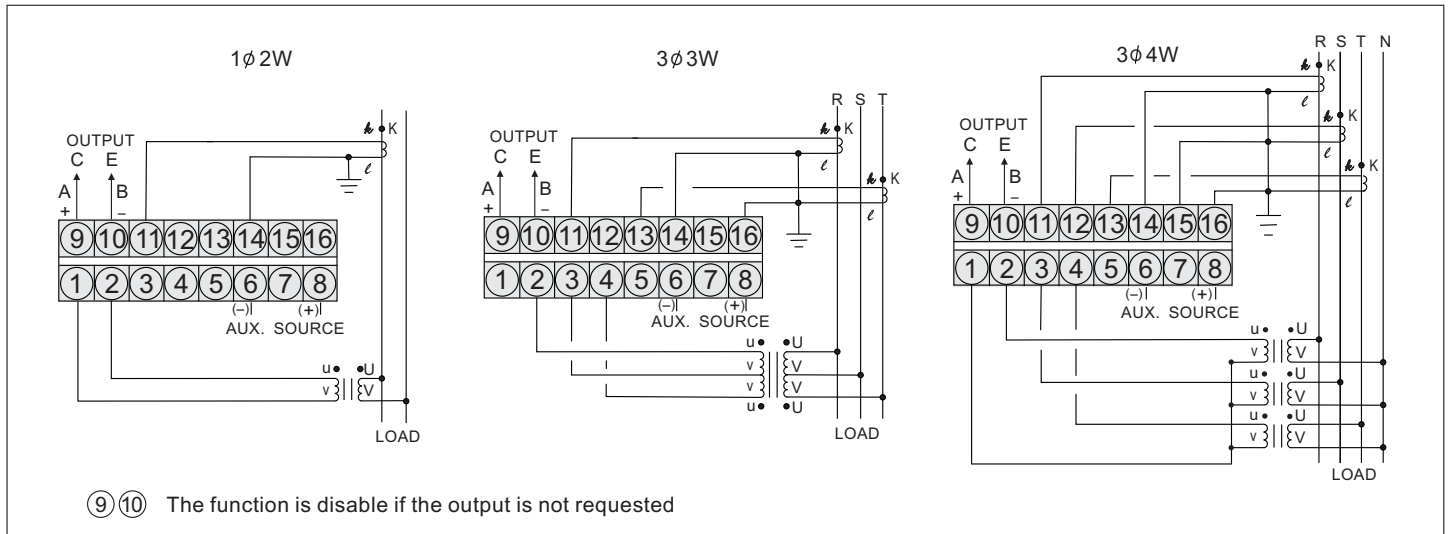
Electrostatic discharge IEC 61000-4-2
Electromagnetic fields immunity IEC 61000-4-3
Electrical transient in burst IEC 61000-4-4
Withstanding impulse voltage IEC 61000-4-5
Immunity to voltage dips IEC 61000-4-11

ORDERING INFORMATION



CONNECTION DIAGRAMS

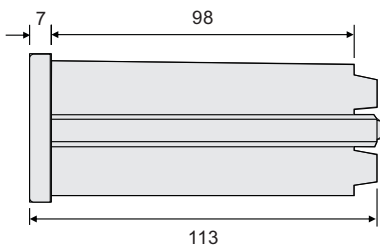
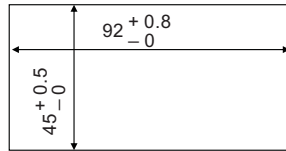
Figure G.



OUTSIDE DIMENSION (UNIT:mm)

Figure 01.

• PANEL CUT-OUT



TAIK ELECTRIC CO., LTD.

4TH FL., NO.5, ALLEY 11, LANE 327, CHUNGSHAN RD., SEC.2,
CHUNGHE DISTRICT, NEW TAIPEI CITY, TAIWAN, R.O.C.

TEL: 886-2-22426825 E-mail: taikco@ms15.hinet.net
FAX: 886-2-22426827 http://www.taik.com.tw