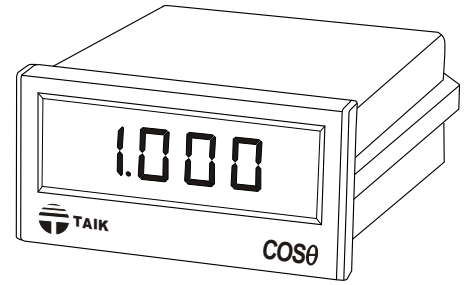




### FEATURES

- Resolution 0.001 COSθ, 0.1°
- Precision measurement even for unbalance system
- Easy-to-wire. screw-type terminals
- Outside dimension is DIN standard (96x48mm)



### SPECIFICATION

**Model:** S2-312P for Power Factor Meter  
S2-312U for Phase Angle Meter

#### INPUT

Circuit	AC Input		Display
	Voltage	Ampere	
Single Phase	110V	5A	-0.5 ~ 1 ~ 0.5 (COS θ)
	220V		
3-Phase, 3-Wire	110V		or -60° ~ 0 ~ 60° (Φ)
	220V		
3-Phase, 4-Wire	√3 110V/110V		
	√3 220V/220V		

**Display** ..... 14.2mm (0.56") H, red LED

**Max. Input over capability** ..... Amp. 3 x rated continuous  
10 x rated 30 seconds  
50 x rated 1 seconds  
Volt. 750V continuous

**Accuracy** ..... ± 0.5% F.S. ± 0.3°  
(Option: Depending on actual measuring)

**Measuring mode** ..... Transducer type

**Input burden** ..... Volt. input ≤ 0.5VA/Phase  
Amp. input ≤ 0.1VA/Phase

**Input frequency range** ..... 50, 60, 400HZ

**Sampling time** ..... Abt. 0.8 sec. Typically

**Polarity** ..... "-" is LEAD side  
Bank is LAG side

**Aux. power source** ..... AC 110V/220V ± 10%, 50/60Hz  
DC 24V, 48V, 100V ± 15%

**Power consumption** ..... ≤ AC 4.5 VA

**Operating temperature range** ..... 0 ~ 60°C

**Storage temperature range** ..... -10 ~ 70°C

**Max. relative humidity** ..... 95%

**Dielectric strength (IEC 688)** ..... AC 2KV/1 minute  
Input to power terminals  
AC 3KV/1 minute  
All terminals to case

**Impulse (IEC 255-4)** ..... Common mode 1.2 x 50μS 4 KV

**Connection diagram** ..... See next page, figure G.

**Dimensions** ..... See next page, figure 02.

### ORDERING INFORMATION

S2-312P- [ ] [ ] [ ] [ ] [ ]

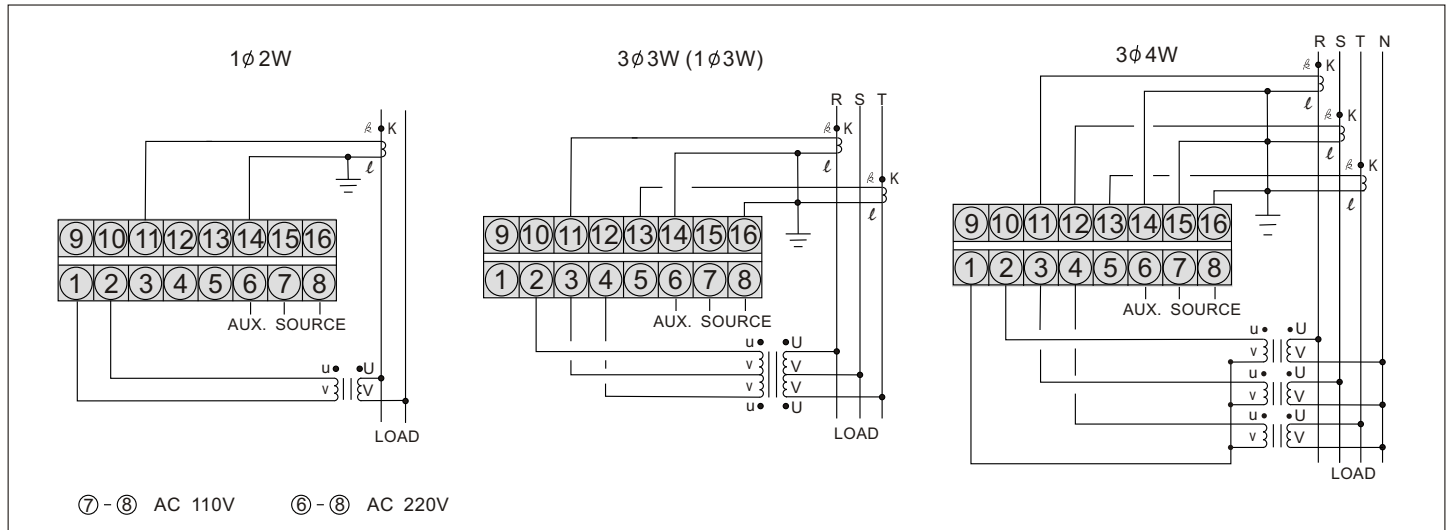
Circuit	Input Voltage	Input Current	Input Frequency	Aux. Power Source
12: single phase, 2-wire 33: 3-phase, 3-wire 34: 3-phase, 4-wire	1: AC 110V 2: AC 220V 3: AC √3 110V/110V 4: AC √3 220V/220V 0: Option	A: AC 5A B: AC 1A O: Option	5: 50HZ 6: 60HZ 7: 400HZ 0: Option	1: AC 110V/220V 2: DC 110V 3: DC 48V 4: DC 24V 0: Option

S2-312U- [ ] [ ] [ ] [ ] [ ]

Circuit	Input Voltage	Input Current	Input Frequency	Aux. Power Source
12: single phase, 2-wire 13: single phase, 3-wire 33: 3-phase, 3-wire 34: 3-phase, 4-wire	1: AC 110V 2: AC 220V 3: AC √3 110V/110V 4: AC √3 220V/220V 0: Option	A: AC 5A B: AC 1A O: Option	5: 50HZ 6: 60HZ 7: 400HZ 0: Option	1: AC 110V/220V 2: DC 110V 3: DC 48V 4: DC 24V 0: Option

# CONNECTION DIAGRAMS

Figure G.



# OUTSIDE DIMENSION (UNIT:mm)

Figure 02.

● PANEL CUT-OUT

