

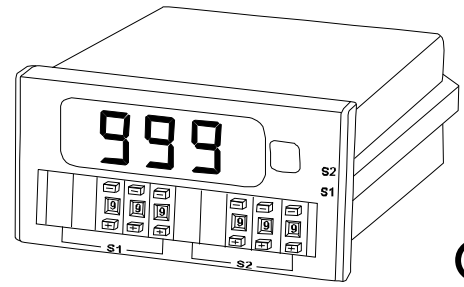


3 DIGITAL METER RELAY

MODEL
S2-300A

FEATURES

- 3 digits display: ± 999
- Accuracy: $\pm 0.1\%$ to $\pm 0.25\%$
- Auto-zero and hold function
- SPDT relay contact output
- Outside dimension is DIN standard (96x48mm)



SPECIFICATION

• Input

Variable to be Measured	Input Range	Input Impedance	Display Range
DC	0 ~ 5V	$\geq 300K\Omega$	0 ~ ± 999
	1 ~ 5V	$\geq 300K\Omega$	
	0 ~ 10V	$\geq 240K\Omega$	
	0 ~ 1mA	100 Ω	
	4 ~ 20mA	10 Ω	
AC • TRMS	0 ~ 1A	0.1 Ω	0 ~ ± 999
	0 ~ 5A	0.1 Ω	
	0 ~ 110V	$\geq 1M\Omega$	
	0 ~ 220V	$\geq 1M\Omega$	
	0 ~ 750V	$\geq 3M\Omega$	

• Analog output

Output Range	Load Resistance	Output Resistance	Output Ripple
1 ~ 5V	$\geq 1K\Omega$	$\leq 0.05\Omega$	$\leq 0.5\%$ RO. (Peak)
0 ~ 10V			
0 ~ 1mA	0 ~ 10K Ω	$\geq 20M\Omega$	
0 ~ 20mA	0 ~ 500 Ω	$\geq 5M\Omega$	
4 ~ 20mA			

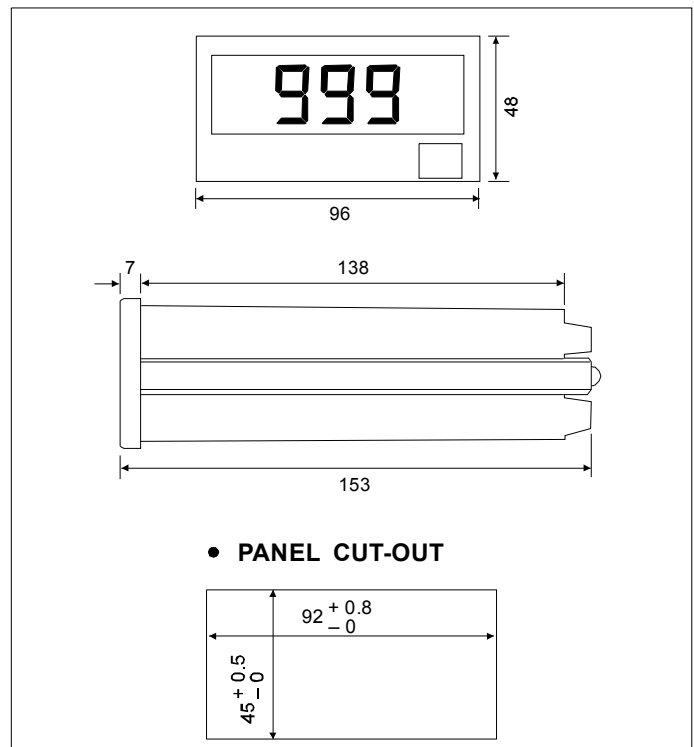
• General

Display..... 14.2mm(0.56")H, red LED
Accuracy..... DC range $\leq \pm 0.1\%$ F.S ± 1 digit
AC range $\leq \pm 0.25\%$ F.S ± 1 digit
Output $\leq \pm 0.1\% \sim \pm 0.25\%$ RO.
(Option: Depending on actual measuring)
Sampling time..... Abt. 0.8 sec. Typically
Frequency range..... 45 ~ 70HZ for AC range
Over indication..... Flash "OFL" or "-OFL"
Over input signal..... Flash display
Setting range..... 0 ~ ± 999 setting
Control mode..... Hi & Lo, S2=Hi, S1=Lo
Hi & HiHi, S1=Hi, S2=HiHi
Lo & LoLo, S2=Lo, S1=LoLo
Setting delay time..... 0 ~ 999 se c.
Memory backup..... EEPROM
Relay contact output..... AC 110V/220V, DC 24V, 5A
Aux. power source..... AC/DC 85 ~ 265V, DC 20 ~ 60V
Power consumption..... $\leq AC 8.5VA \leq DC 5W$
Sensor power supple..... DC 24V, 30mA
Operating temperature range..... 0 ~ 60°C
Storage temperature range..... -10 ~ 70°C
Temperature coefficient..... $\leq 100PPM/^{\circ}C$
Max. relative humidity..... 95%
Dielectric strength (IEC 688)..... AC 2KV/1 minute
Input/output/ power terminals
AC 3KV/1 minute
All terminals to case

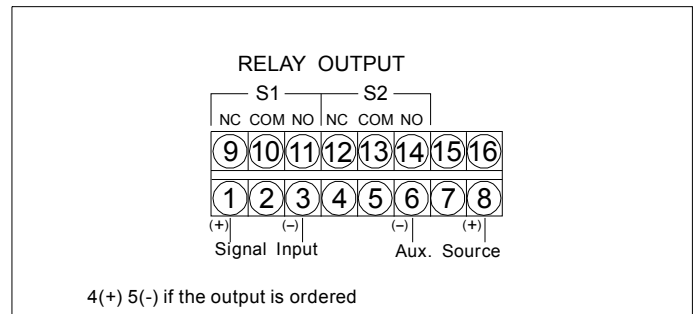
• Electromagnetic compatibility

Electrostatic discharge..... IEC 61000-4-2
Electromagnetic fields immunity..... IEC 61000-4-3
Electrical transient in burst..... IEC 61000-4-4
Withstanding impulse voltage..... IEC 61000-4-5
Immunity to voltage dips..... IEC 61000-4-11

OUTSIDE DIMENSION (UNIT:mm)



CONNECTION DIAGRAM



ORDERING INFORMATION

S2-300A- [] [] [] [] [] []

Mode	Input	Measuring Range	Output	Aux. Source	Option
1: Hi	D: DC	P1: 0 ~ 50mV	A7: 0 ~ 1A	V2: 1~5V	A: Auto-zero
2: Hi-Lo	A: AC	P2: 0 ~ 60mV	A8: 0 ~ 5A	V4: 0~10V	H: Data hold
3: Hi-HiHi	T: TRMS	P3: 0 ~ 5V	V6: 0 ~ 110V	A2: 0~1mA	D: Exciting DC 24V
4: LoLo-Lo	R: Pt100	P4: 1 ~ 5V	V7: 0 ~ 220V	A3: 0~20mA	S: Start delay
	K: K TYPE	P5: 0 ~ 10V	T1: 0 ~ 400°C	A4: 4~20mA	O: Set delay
	0: Option	P6: 0 ~ 1mA	T2: 0 ~ 1200°C	NO: None	N: None
		P7: 4 ~ 20mA	00: Option	0: Option	
		P8: 0 ~ 20mA			