

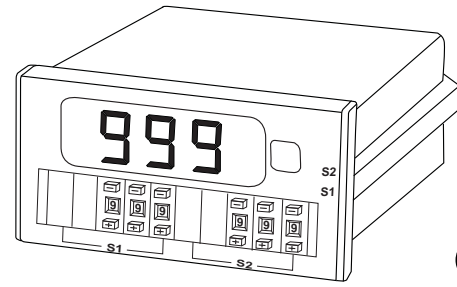


# 3 DIGITAL METER RELAY

MODEL  
S2-300A

## FEATURES

- 3 digits display:  $\pm 999$
- Accuracy:  $\pm 0.1\%$  to  $\pm 0.25\%$
- Auto-zero and hold function
- SPDT relay contact output
- Outside dimension is DIN standard (96x48mm)



## SPECIFICATION

### • Input

Variable to be Measured	Input Range	Input Impedance	Display Range
DC	0 ~ 5V	$\geq 1M\Omega$	0 ~ $\pm 999$
	1 ~ 5V	$\geq 1M\Omega$	
	0 ~ 10V	$\geq 1M\Omega$	
	0 ~ 1mA	100 $\Omega$	
	4 ~ 20mA	10 $\Omega$	
0 ~ 20mA	10 $\Omega$		
AC	0 ~ 1A	0.1 $\Omega$	
	0 ~ 5A	0.1 $\Omega$	
TRMS	0 ~ 110V	$\geq 1M\Omega$	
	0 ~ 220V	$\geq 1M\Omega$	
	0 ~ 750V	$\geq 3M\Omega$	

### • Analog output

Output Range	Load Resistance	Output Resistance	Output Ripple
1 ~ 5V	$\geq 1K\Omega$	$\leq 0.05\Omega$	$\leq 0.5\%$ RO. (Peak)
0 ~ 10V			
0 ~ 1mA	0 ~ 10K $\Omega$	$\geq 20M\Omega$	
0 ~ 20mA	0 ~ 500 $\Omega$	$\geq 5M\Omega$	
4 ~ 20mA			

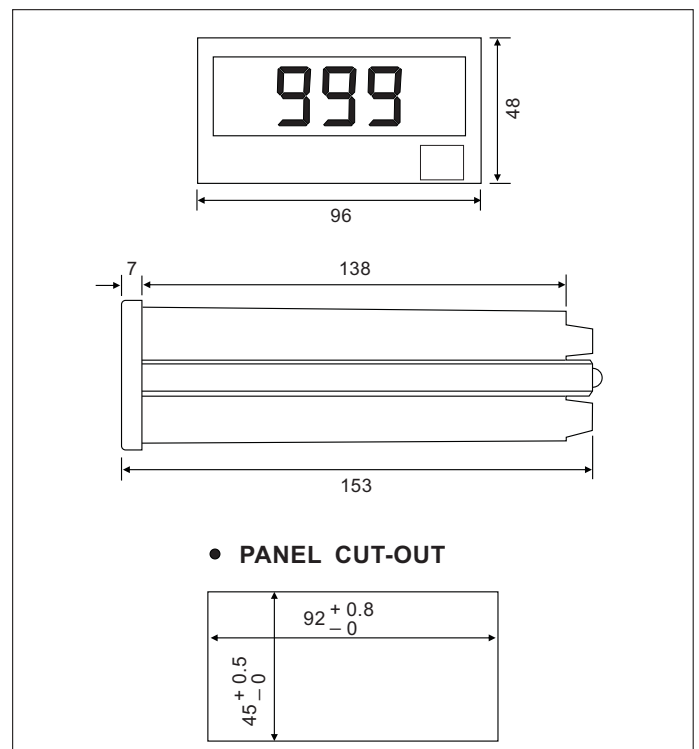
### • General

Display: 14.2mm(0.56")H, red LED  
 Accuracy: DC range  $\leq \pm 0.1\%$  F.S.  $\pm 1$  digit  
 AC range  $\leq \pm 0.25\%$  F.S.  $\pm 1$  digit  
 Output  $\leq \pm 0.1\%$  ~  $\pm 0.25\%$  R.O.  
 (Option: Depending on actual measuring)  
 Sampling time: Abt. 0.8 sec. Typically  
 Frequency range: 45 ~ 70HZ for AC range  
 Over indication: Flash "OFL" or "-OFL"  
 Over input signal: Flash display  
 Setting range: 0 ~  $\pm 999$  setting  
 Control mode: Hi & Lo, S2=Hi, S1=Lo  
 Hi & HiHi, S1=Hi, S2=HiHi  
 Lo & LoLo, S2=Lo, S1=LoLo  
 Setting delay time: 0 ~ 999 se c.  
 Memory backup: EEPROM  
 Relay contact output: AC 110V/220V, DC 24V, 5A  
 Aux. power source: AC/DC 85 ~ 265V, DC 20 ~ 60V  
 Power consumption:  $\leq$  AC 8.5VA  $\leq$  DC 5W  
 Sensor power supply: DC 24V, 30mA  
 Operating temperature range: 0 ~ 60°C  
 Storage temperature range: -10 ~ 70°C  
 Temperature coefficient:  $\leq 100$ PPM/°C  
 Max. relative humidity: 95%  
 Dielectric strength (IEC 60688): AC 2KV/1 minute  
 Input/output/ power terminals  
 AC 3KV/1 minute  
 All terminals to case

### • Electromagnetic compatibility

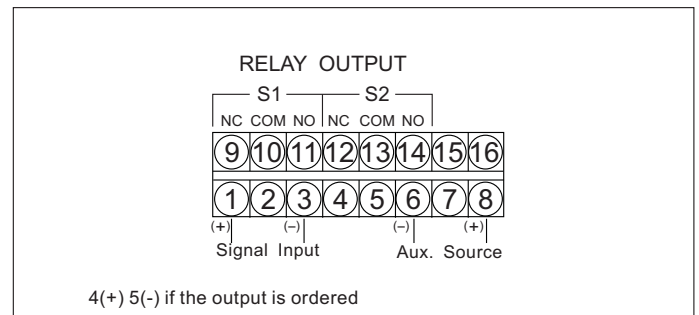
Electrostatic discharge: IEC 61000-4-2  
 Electromagnetic fields immunity: IEC 61000-4-3  
 Electrical transient in burst: IEC 61000-4-4  
 Withstanding impulse voltage: IEC 61000-4-5  
 Immunity to voltage dips: IEC 61000-4-11

### OUTSIDE DIMENSION (UNIT:mm)



### • PANEL CUT-OUT

### CONNECTION DIAGRAM



## ORDERING INFORMATION

S2-300A-

Mode	Input	Measuring Range	Output	Aux. Source	Option
1: Hi	D: DC	P1: 0 ~ 50mV A7: 0 ~ 1A	V2: 1~5V	1: AC/DC 85 ~ 265V	A: Auto-zero
2: Hi-Lo	A: AC	P2: 0 ~ 60mV A8: 0 ~ 5A	V4: 0~10V	2: DC 20V ~ 60V	H: Data hold
3: Hi-HiHi	T: TRMS	P3: 0 ~ 5V V6: 0 ~ 110V	A2: 0~1mA	0: Option	D: Exciting DC 24V
4: LoLo-Lo	R: Pt100	P4: 1 ~ 5V V7: 0 ~ 220V	A3: 0~20mA		S: Start delay
	K: K TYPE	P5: 0 ~ 10V T1: 0 ~ 400°C	A4: 4~20mA		O: Set delay
	0: Option	P6: 0 ~ 1mA T2: 0 ~ 1200°C	NO: None		N: None
		P7: 4 ~ 20mA 00: Option	00: Option		
		P8: 0 ~ 20mA			