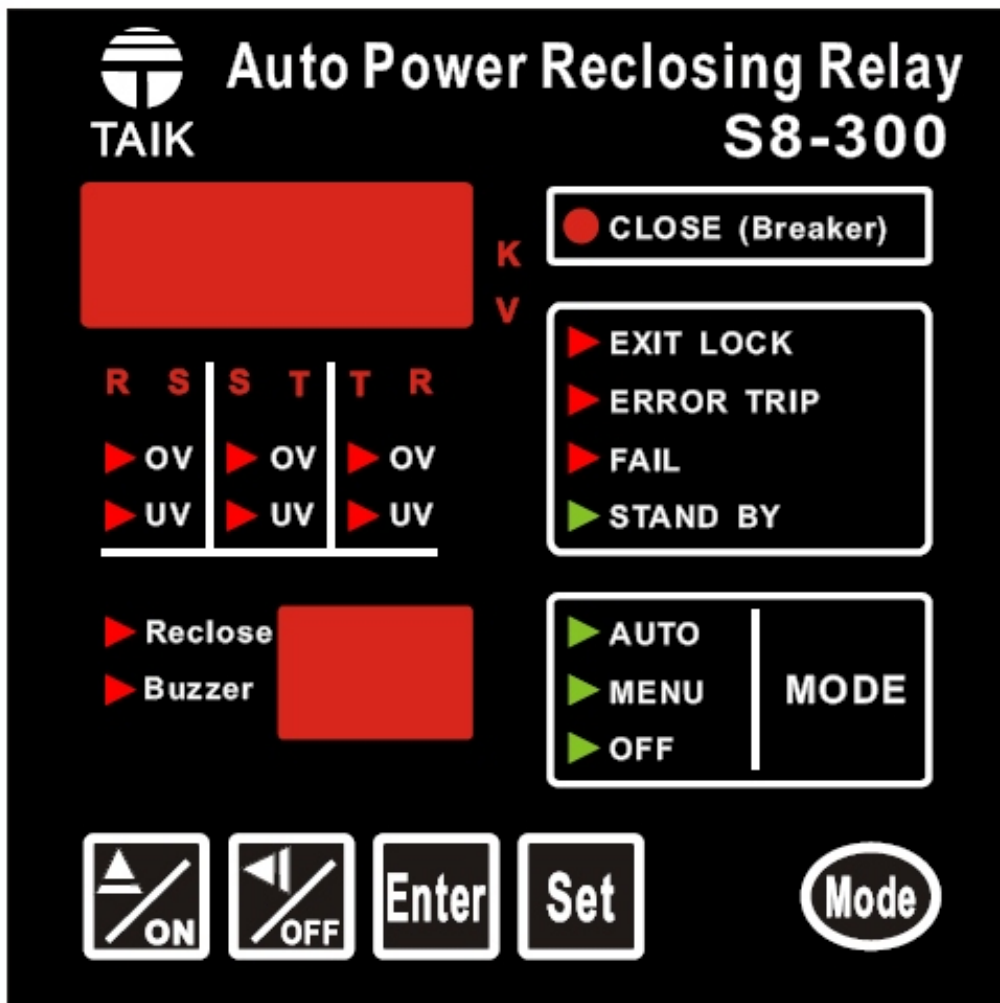


# Auto Power Reclosing Relay

## S8-300



**TAIK ELECTRIC**

The S8-300 is an auto reclosing relay that provides automatic reclosing function for protection against the power supply interruptions frequently. This relay will act its protection function to trip automatically when overvoltage or undervoltage is detected. The reclosing function can make the impermanent short circuit status return to the normal condition.

The relay can take measurement of each line voltage on three-phase system. utilize an alarm contact connected to a buzzer for signaling to a prompt solution if the fault is still not cleared. The S8-300 also provide with a "Lockout" function in order to inhibit further reclosure attempts following a breaker trip or even to prevent the selective relays for switching to the objects.

The relay can indicate the cause on the front plate as each possible fault occurs, besides it is equipped with RS 485 Modbus for the related information received.

## FEATURES

- Breaker open / close indicator.
- Real - time voltage 4 digits LED display.
- Programmable adjustment for voltage transformer ratio.
- Setting value protected by password.
- Local display of data recorded at the moment of a fault.
- Line RMS voltage measurement.
- ON / OFF / Buzzer relay contact output.
- With RS 485 output.
- Immunity test according to IEC 255 standards.
- Outside dimension compatible for DIN standards (144x144mm)
- Internal fault detection.

## FUNCTIONS

- 27-Line under voltage relay with definite time delay.
- 59-Line over voltage relay with definite time.
- 79-Auto reclosing relay with definite time.
  - > Reclosing count down time with internal buzzer and contacts output.
  - > Disable reclosing external lock.

## SPECIFICATION

### Overvoltage and Undervoltage

Rated voltage input..... AC 110V, 220V or 380V  $\pm$  30%, 50/60HZ  
 Overload capability ..... 2 x rated 5sec.  
 Power consumption ..... 6VA  
 Overvoltage setting range ..... 100% ~ 130%  
 Overvoltage time delay ..... 0 ~ 99sec.  
 Undervoltage setting range ..... 70% ~ 100%  
 Undervoltage time delay ..... 0 ~ 99sec.

### Reclosing unit

Reclose time delay ..... 0 ~ 99sec.  
 The time of reclose ..... 1 ~ 9 times  
 Alarm for reclose ..... internal buzzer  
 and contacts output  
 Disable reclosing ..... external lock  
 or breaker on

### Accuracy

Over/Under voltage setting .....  $\pm$  0.5% full scale  
 Time delay .....  $\pm$  3% of set value or  $\pm$  20ms.  
 (Whichever is greater)  
 at 0 msec: 50 ms Max.

### Display

Type ..... 0.56"H, red LED  
 Digital format ..... 1 row of 4 digits  
 1 row of 2 digits  
 (reclosing count down time)

### Output

Relay contacts ..... SPST for trip/reclose/buzzer  
 Rated voltage ..... 250V AC/DC  
 Continuous carry ..... 5A  
 Make and carry for 0.5s ..... 30A  
 Make and carry for 3.0s ..... 15A

### Detection Input

Rated voltage input ..... AC 110V ( 65 ~ 160V)  
 AC 220V (130 ~ 320V)  
 AC 380V (225 ~ 550V)  
 Type ..... External lock & ON verify

### Communication

Interface ..... RS 485  
 Protocol ..... MODBUS, RTU framing  
 Baud rate ..... 1200 ~ 38400 programmable  
 Address range ..... 1 ~ 255 programmable  
 Data format ..... N.8.1/ N.8.2/ O.8.1/ E.8.1  
 Number of meter ..... up to 32  
 256 (option)

### Frame

Degree ..... IP52 or IP54

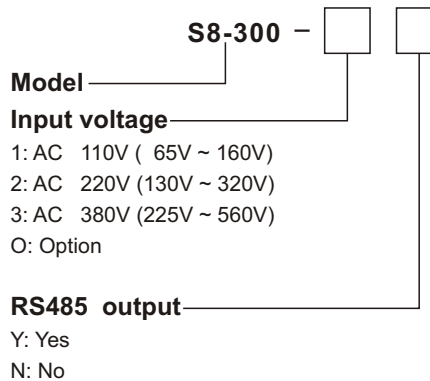
### General

Dielectric strength ..... IEC 688, AC 2.3KV between terminals  
 AC 3KV between terminal/case  
 Operating temperature ..... 0~60°C  
 Storage temperature ..... -10~70°C  
 Max.humidity ..... 90%

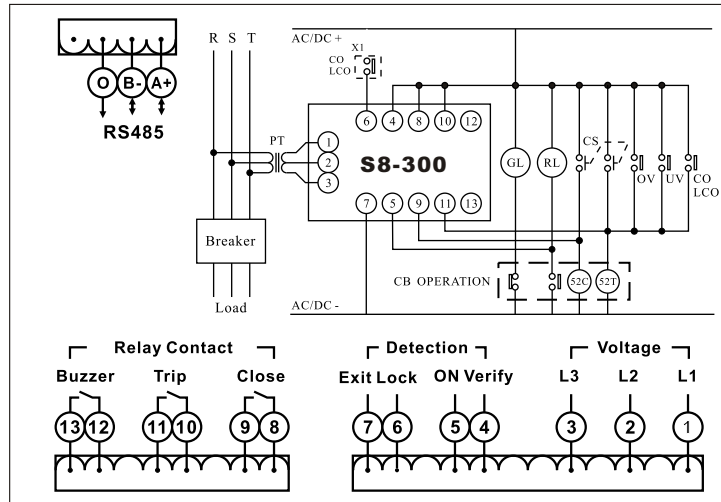
### Immunity Test

Withstanding impulse voltage ..... IEC 61000-4-5 (IEC 255-5)  
 Electrical transient in burst ..... IEC 61000-4-4 (IEC 255-22-4)  
 Electrostatic discharge ..... IEC 61000-4-2  
 Voltage disps and short interruptions ..... IEC 61000-4-11

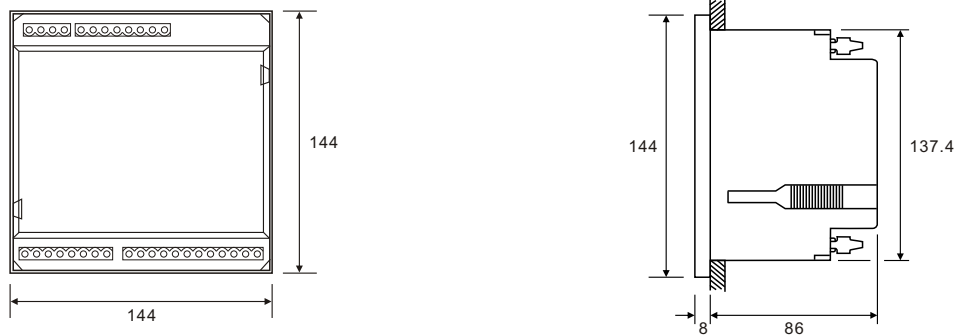
## ORDERING INFORMATION



## CONNECTION DIAGRAM



## OUTSIDE DIMENSION(Unit:mm)



## PANEL CUTOUT(Unit:mm)

