

# S7-110

## Three Phase Panel Meter



FM 40649



**TAIK ELECTRIC**



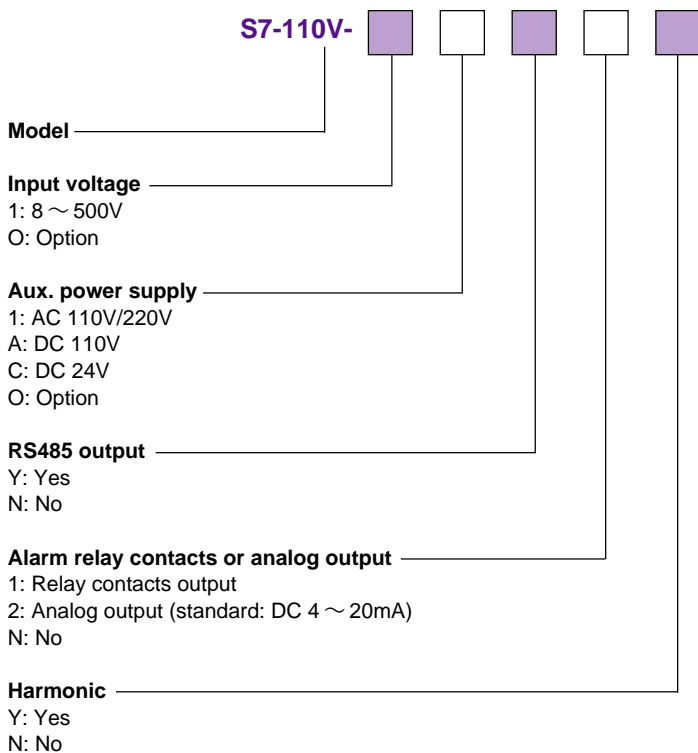
## ■ S7-110V

Accuracy ..... 0.2% F.S.  
 Voltage range ..... (L-L) 8 ~ 500V, (L-N) 5 ~ 290V  
 Maximum over load ..... 750V  
 Input impedance .....  $\geq 200K\Omega$   
 Total harmonic accuracy (31th) ..... 2% F.S.

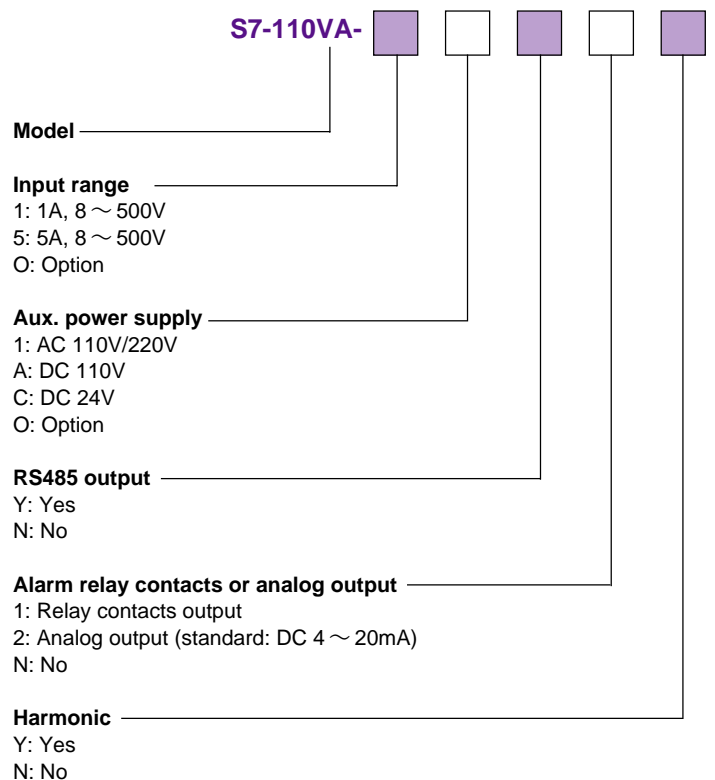
## ■ S7-110VA

Accuracy ..... 0.2% F.S.  
 Input range ..... Volt. (L-L) 8 ~ 500V, (L-N) 5 ~ 290V  
 Current 5A or 1A  
 Maximum over load ..... Volt. 750V  
 Current 6A, continuous, 50A 5 sec.  
 Current input burden .....  $\leq 0.1VA$   
 Voltage input impedance .....  $\geq 200K\Omega$   
 Total harmonic accuracy (31th) ..... 2% F.S.

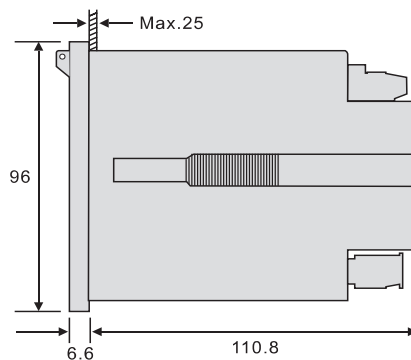
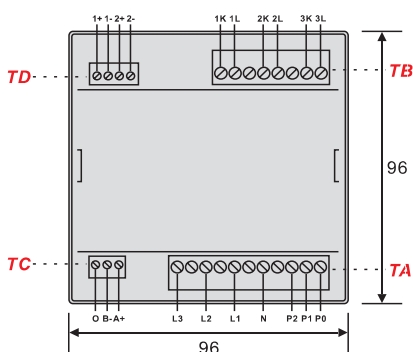
### ORDERING INFORMATION



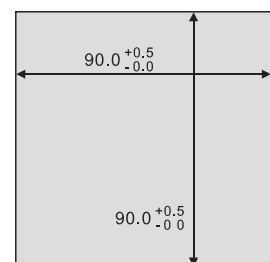
### ORDERING INFORMATION



### OUTSIDE DIMENSION (Unit: mm)



#### ● Panel Cut-Out

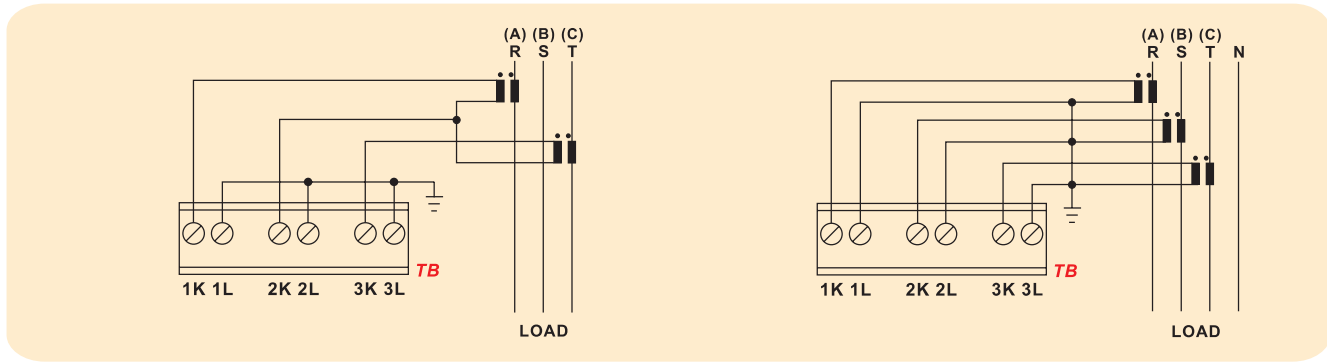


# Three Phase Panel Meter

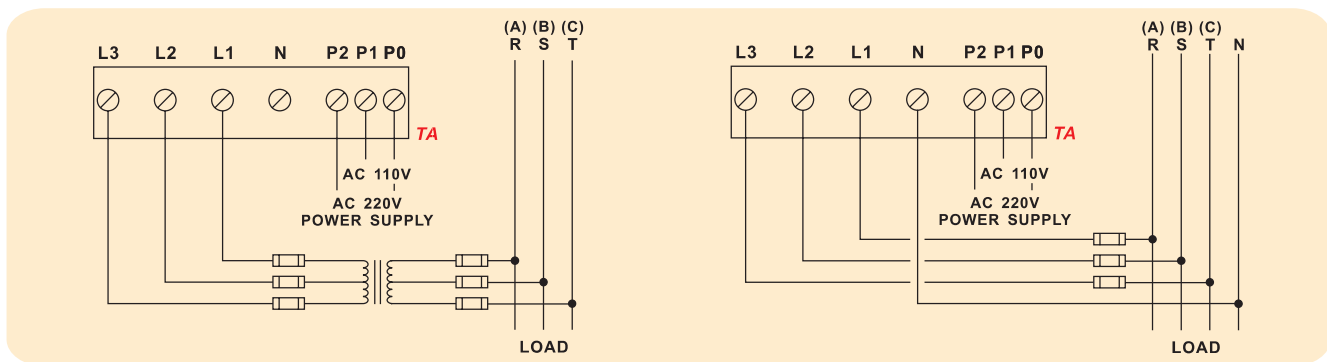
S7-110

## CONNECTION

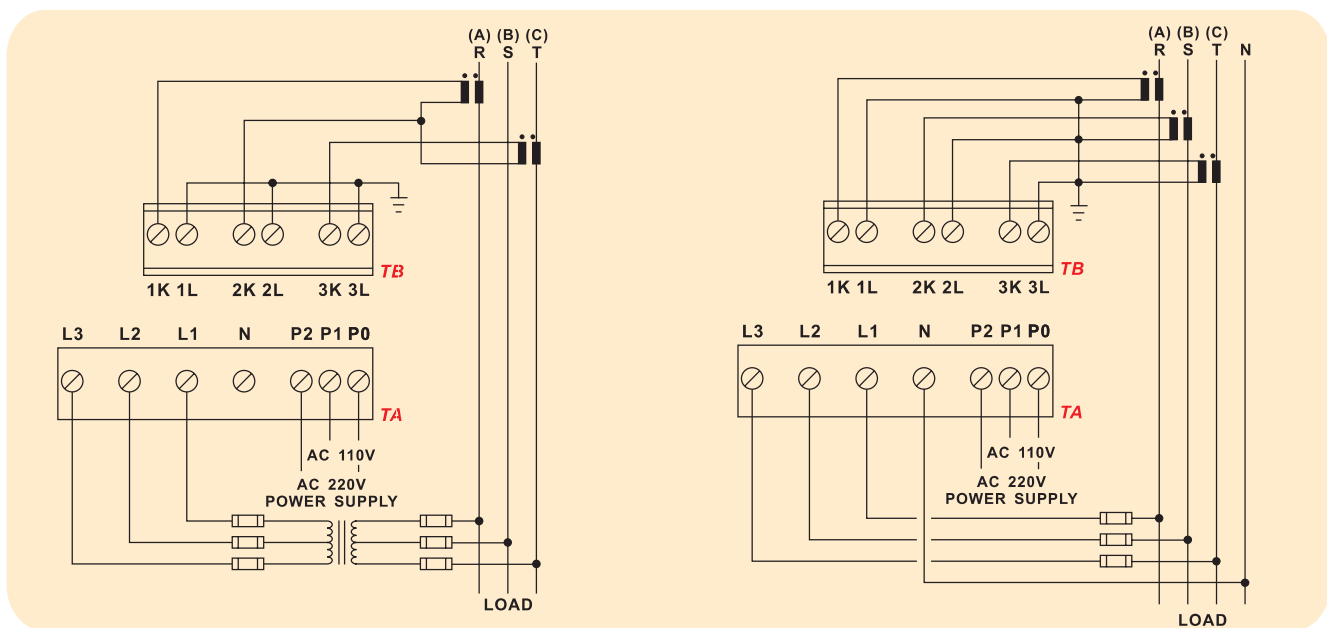
### S7-110A



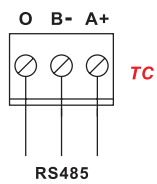
### S7-110V



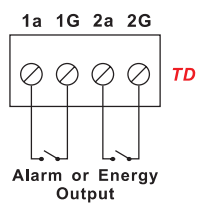
### S7-110VA



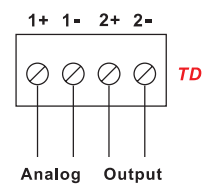
#### • RS485 OUTPUT



#### • RELAY CONTACTS OUTPUT



#### • ANALOG OUTPUT



## TAIK ELECTRIC CO., LTD.

4TH FL., NO. 5 ALLEY 11, LANE 327, CHUNG SHAN RD.,  
 SEC. 2, CHUNG HO SHIEH, TAIPEI HSIEN, TAIWAN, R.O.C.  
 TEL:(02)2242-6825 <http://www.taik.com.tw>  
 FAX:(02)2242-6827 E-mail: taikco@ms15.hinet.net