

FEATURES

- Powering a 4 ~ 20mA DC current loop
- Output voltage: 21 ~ 27V
- Easy to change output range
- Plug-in omniconnect terminals
- 3 way isolated



ORDERING INFORMATION

MODEL: S4X-DW-A4-

DC Input Range (Input Resistance)

A4: 4 ~ 20mA ($\leq 50 \Omega$)

DC Output Range (Output Resistance)

V2: 0 ~ 5V ($\geq 1K \Omega$)

V3: 1 ~ 5V ($\geq 1K \Omega$)

V4: 0 ~ 10V ($\geq 1K \Omega$)

A1: 0 ~ 1mA (0 ~ 10K Ω)

A2: 0 ~ 10mA (0 ~ 1.5K Ω)

A3: 0 ~ 20mA (0 ~ 750K Ω)

A4: 4 ~ 20mA (0 ~ 750K Ω)

00: Option

Power Supply

A: AC 85 ~ 265V, DC 100 ~ 330V

B: DC 20 ~ 60V

0: Option

SPECIFICATION

Accuracy	$\pm 0.1\%RO.$
Response time	$\leq 400\text{msec. } 0 \sim 99\%$ (Option) $\leq 50 \text{ msec. } 0 \sim 99\%^*$
Output ripple	$\leq 0.5\% RO. (\text{Peak})$
Power supply	AC 85V ~ 265V, 50/60Hz DC 100 ~ 330V DC 20 ~ 60V
Power consumption	at 240V, $\leq AC 7.5VA, \leq DC 6W$ 110V, $\leq AC 4VA, \leq DC 4W$
Supply output	DC 21V ~ 27V, Max. 30mA
Temperature coefficient	$\leq 0.015\%/^{\circ}C$
Operating temperature	0 ~ 60 $^{\circ}C$
Storage temperature	-10 ~ 70 $^{\circ}C$
Max. relative humidity	90%
Isolation	Input/Output/Power
Dielectric strength	AC 1.8KV/min.
Insulation resistance	$\geq 100M\Omega, DC 500V$
Impulse withstand test	IEC 1000-4-5, class 4
Weight	Abt. 170g

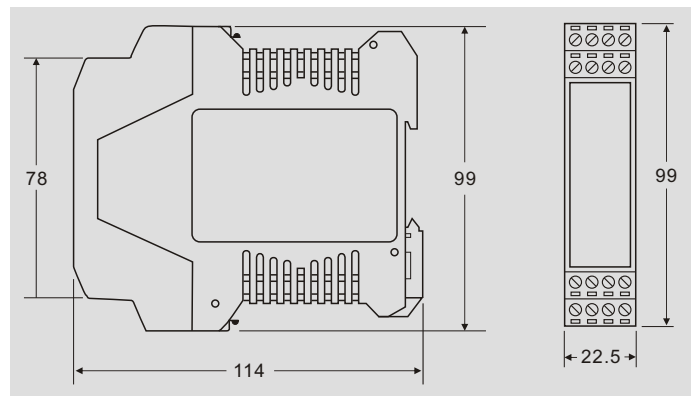
*High response time, output ripple be according to input ripple.

● Dip SW. For Output Range (Standard)

Output Range	SW.2							
	1	2	3	4	5	6	7	8
0 ~ 5V	■	■	■	■	■	■	■	■
1 ~ 5V	■	■	■	■	■	■	■	■
0 ~ 10V	■	■	■	■	■	■	■	■
0 ~ 10mA	■	■	■	■	■	■	■	■
0 ~ 20mA	■	■	■	■	■	■	■	■
4 ~ 20mA	■	■	■	■	■	■	■	■

ON

THE OUTSIDE DIMENSION (UNIT: mm)



SCHEMATIC CIRCUITRY & CONNECTION DIAGRAM

