



DC POWER SUPPLY

S4-PS SERIES

FEATURES

- Output with short circuit protection
- Maximum drive: 2 W
- Plug-in type



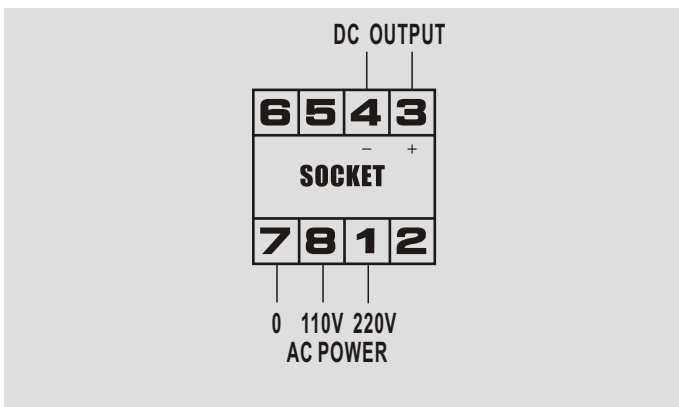
OUTPUT SELECTION

S4-PS-12	DC 12V OUTPUT
S4-PS-24	DC 24V OUTPUT

SPECIFICATION

Max. drive	2W
Power supply	AC 110V/220V ±15%, 50/60Hz
Output ripple	≤0.5% RO. (peak- peak)
Operating temp.	0 ~ 60 °C
Storage temp.	-10 ~ 70 °C
Temp. coefficient	≤100PPM/°C
Max. relative humidity	95%
Dielectric strength	Output/Power AC 1.8KV/min. All Terminal/Case AC 1.8KV/min.
Power consumption	≤ 5VA
Output protection	Output shut down at shore circuit status

CONNECTION DIAGRAM



DIMENSIONS (UNIT : mm)

