



FEATURES

- Accuracy: $\pm 0.1\%$ RO.
- Wide input and output range selection
- Steady voltage, current and low ripple output
- Plug-in type

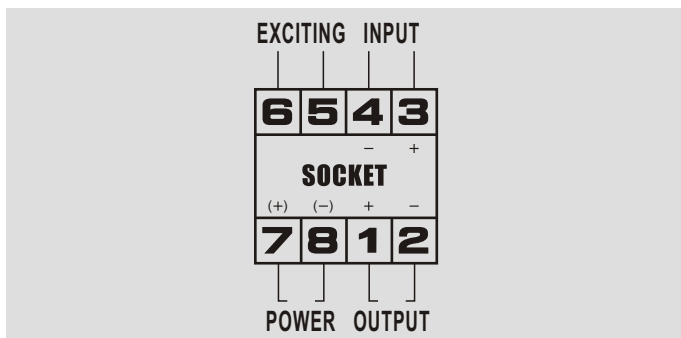
MODEL: S4 - LVDT -

NO.	DC Output Range	Load R.	NO.	Power Supply	Exciting Voltage
10	0 ~ 100mV	$\geq 100K\Omega$	1	AC 110V	3Vrms $\pm 10\%$
11	0 ~ 1V	$\geq 500\Omega$	2	AC 220V	25mA maximum
12	0 ~ 5V	$\geq 500\Omega$	3	DC 110V	2.5KHz $\pm 10\%$
13	0 ~ 10V	$\geq 500\Omega$	4	DC 48V	
14	1 ~ 5V	$\geq 500\Omega$	5	DC 24V	
15	-10 ~ 10V	$\geq 1K\Omega$	0	Option	
16	0 ~ 1mA	0 ~ 10K Ω			
17	0 ~ 10mA	0 ~ 1.5K Ω			
18	0 ~ 20mA	0 ~ 750 Ω			
19	4 ~ 20mA	0 ~ 750 Ω			
00	Option				

SPECIFICATION

Accuracy	$\pm 0.1\%$ RO.
Power supply	AC 110V $\pm 15\%$, 50/60Hz AC 220V $\pm 15\%$, 50/60Hz DC 110V, 48V, 24V $\pm 10\%$
Response time	≤ 400 msec.
Output ripple	$\leq 0.5\%$ RO. (peak-peak)
Exciting voltage	3Vrms nominal 25mA maximum 2.5KHz
Operating temp.	0 ~ 60 °C
Storage temp.	-10 ~ 70 °C
Temp. coefficient	≤ 150 PPM/°C
Span adjustment	$\geq \pm 10\%$
Zero adjustment	$\geq \pm 5\%$
Max. relative humidity	95%
Isolation	Input/Output/Power/Case
Insulation resistance	$\geq 100M\Omega$, DC 500V
Dielectric strength	Input/Output/Power/Case AC 1.8KV/min.
Impulse withstand test	3KV, 1.2 X 50 μ S Common mode & differential mode
Power consumption	\leq AC 5VA, \leq DC 3W

CONNECTION DIAGRAM



DIMENSIONS (UNIT : mm)

