

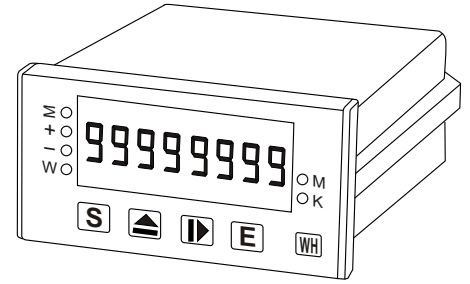


MICROPROCESS WATT/VAR HOUR METER

S2-800WH
S2-800RH

FEATURES

- 8 digits display: 99999999
- Accuracy: $\pm 0.3\%$
- Programmable adjustment for current, voltage transformers ratio
- Easy-to-wire. screw-type terminals
- Outside dimension is DIN standard (96x48mm)



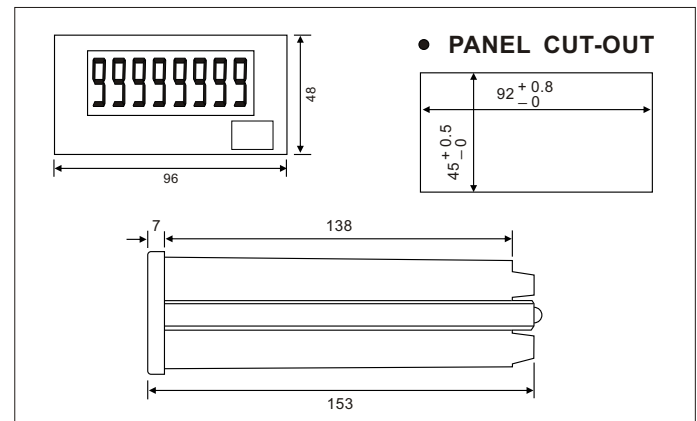
SPECIFICATION

• INPUT

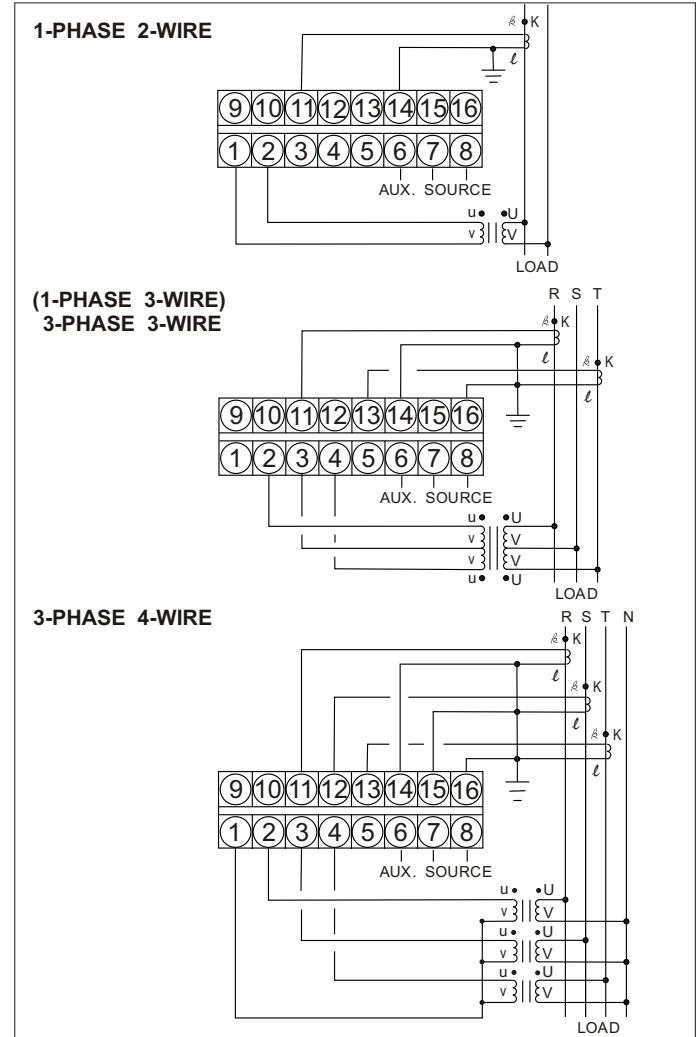
Circuit	AC Input		Display (KWH/KVARH)
	Voltage	Ampere	
Single Phase	110V	5A	99999999 (Auto-change decimal point)
	220V		
3-Phase, 3-Wire	110V		
	220V		
3-Phase, 4-Wire	$\sqrt{3}$ 110V/110V		
	$\sqrt{3}$ 220V/220V		

- Display 9.1mm (0.36") H, red LED
WATT/VAR display..... 4 digits (9999)
 (Temporary stay around 2 minutes)
- Max. Input over capability** Amp. 3 x rated continuous
 10 x rated 30 seconds
 50 x rated 1 seconds
 Volt. 750V continuous
- Accuracy** $\pm 0.3\%$ F.S. ± 1 digit, PF ≥ 0.5
 (Option: Depending on actual measuring)
- Input burden** Volt. input ≤ 0.5 VA/Phase
 Amp. Input ≤ 0.1 VA/Phase
- Input frequency range** 45 ~ 70HZ
- Aux. power source** AC 110V or 220V $\pm 10\%$, 50/60HZ
 DC 24V, 48V, 110V $\pm 15\%$
- Power consumption** \leq AC 4.5 VA
- Operating temperature range** 0 ~ 60°C
- Storage temperature range** -10 ~ 70°C
- Temperature coefficient** 150PPM/°C
- Max. relative humidity** 95%
- Memory time** ≥ 10 years
- Dielectric strength (IEC 688)** AC 2KV/1 minute
 Input to power terminals
 AC 3KV/1 minute
 All terminals to case
- Impulse (IEC 255-4)**..... Common mode 1.2 x 50 μ S 4 KV

OUTSIDE DIMENSION (UNIT:mm)



CONNECTION DIAGRAMS



ORDERING INFORMATION

S2-800WH

S2-800RH

Circuit	Input Voltage	Input Current	Aux. Power Source
12: 1 Φ 2W	1: AC 110V	A: AC 5A	1: AC 110V/220V
13: 1 Φ 3W	2: AC 220V	B: AC 1A	2: DC 110V
33: 3 Φ 3W	3: AC $\sqrt{3}$ 110V/110V	O: Option	3: DC 48V
34: 3 Φ 4W	4: AC $\sqrt{3}$ 220V/220V		4: DC 24V
	0: Option		0: Option