

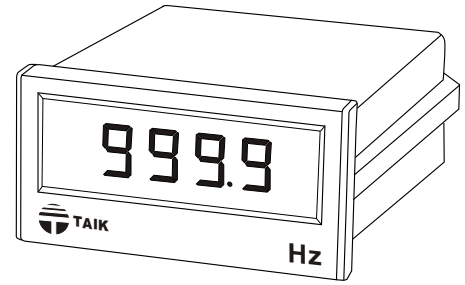


4 DIGITAL FREQUENCY METER

MODEL
S2-400F

FEATURES

- 4 display: 9999
- High accuracy: $\pm 0.05\%$
- Easy-to-wire. screw-type terminals
- Outside dimension is DIN standard (96x48mm)



SPECIFICATION

• Frequency Input

Measuring Range	Resolution	Input Impedance
99.99Hz	0.01Hz	$\geq 1M\Omega$
999.9Hz	0.1Hz	
9999Hz	1Hz	

Display	14.2mm (0.56") H, red LED
Max. Input over capability	600V for signal input
Accuracy	$\pm 0.05\%$ F.S. (Option: Depending on actual measuring)
Sampling time.....	Abt. 1 sec. typically
Aux. power source	AC 110V/220V $\pm 15\%$, 50/60Hz
Power consumption.....	\leq AC 3VA
Operating temperature range	0~60°C
Storage temperature range	-10~70°C
Temperature coefficient	100PPM/°C
Max. relative humidity	95%
Dielectric strength (IEC 688).....	AC 2KV/1 minute Input to power terminals AC 3KV/1 minute All terminals to case
Impulse (IEC 255-4)	Common mode 1.2 x 50 μ S 4 KV
Connection diagram.....	See next page, figure A, B
Dimensions	See next page, figure 01.

ORDERING INFORMATION

S2-400F-

Measuring Range	Input Voltage	Aux. Power Source
1: 99.99HZ 2: 999.9HZ 3: 9999HZ	1: 110V/220V 2: 2 ~ 30V 3: 90 ~ 600V 4: Option	1: AC 110V/220V 2: None 3: Option

CONNECTION DIAGRAMS

Figure A.

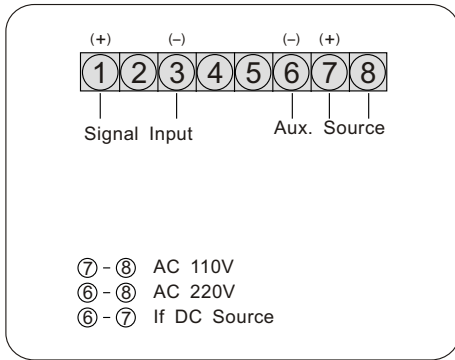
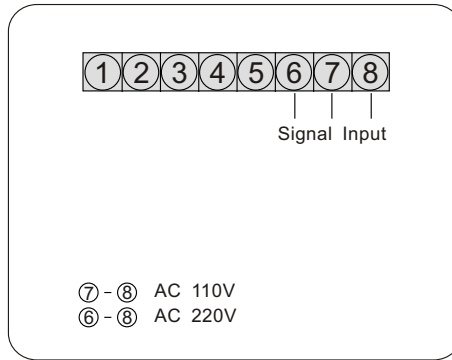


Figure B.



OUTSIDE DIMENSION (UNIT:mm)

Figure 01.

● PANEL CUT-OUT

