



MICROPROCESS DIGITAL VAR METER

MODEL
S2-334R

FEATURES

- 4 digits display: 9999
- Accuracy: $\pm 0.25\%$
- Programmable adjustment for current, voltage transformers ratio
- Precision measurement even for unbalance system
- Easy-to-wire. screw-type terminals
- Outside dimension is DIN standard (96x48mm)

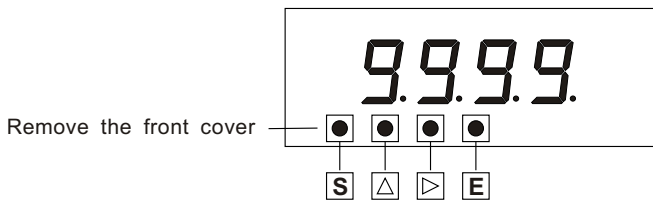


SPECIFICATION

• INPUT

Circuit	AC Input		Basic Var
	Voltage	Ampere	
Single Phase	110V	5A	$\pm 0.5\text{KVar}$
	220V		$\pm 1\text{KVar}$
3-Phase, 3-Wire	110V		$\pm 1\text{KVar}$
	220V		$\pm 2\text{KVar}$
3-Phase, 4-Wire	$\sqrt{3}$ 110V/110V		$\pm 1.5\text{KVar}$
	$\sqrt{3}$ 220V/220V		$\pm 3\text{KVar}$

• Display (Programmable process)



- [S]: Press [S] to enter the setting process
- [Δ]: Press [Δ] to change the value as required
- [▷]: Press [▷] to move on the LED digit as required
- [E]: Press [E] to confirm the setting value and function

★ All details on operation must refer to the instruction manual

- Display 14.2mm (0.56") H, red LED
- Max. Input over capability Amp. 3 x rated continuous
10 x rated 30 seconds
50 x rated 1 seconds
Volt. 750V continuous
- Accuracy $\pm 0.25\%$ F.S. ± 3 digits
(Option: Depending on actual measuring)
- Input burden Volt. input $\leq 0.5\text{VA/Phase}$
Amp. Input $\leq 0.1\text{VA/Phase}$
- Input frequency range 45 ~ 70 HZ
- Sampling time Abt. 0.8 sec. Typically
- Polarity "-" is LEAD side
Bank is LAG side
- Aux. power source AC 110V/220V $\pm 10\%$, 50/60Hz
DC 24V, 48V, 100V $\pm 15\%$
- Power consumption \leq AC 4.5 VA
- Operating temperature range 0 ~ 60°C
- Storage temperature range -10 ~ 70°C
- Temperature coefficient 150PPM/°C
- Max. relative humidity 95%
- Dielectric strength (IEC 688) AC 2KV/1 minute
Input to power terminals
AC 3KV/1 minute
All terminals to case
- Impulse (IEC 255-4) Common mode 1.2 x 50 μ S 4 KV
- Connection diagram See next page, figure G.
- Dimensions See next page, figure 02.

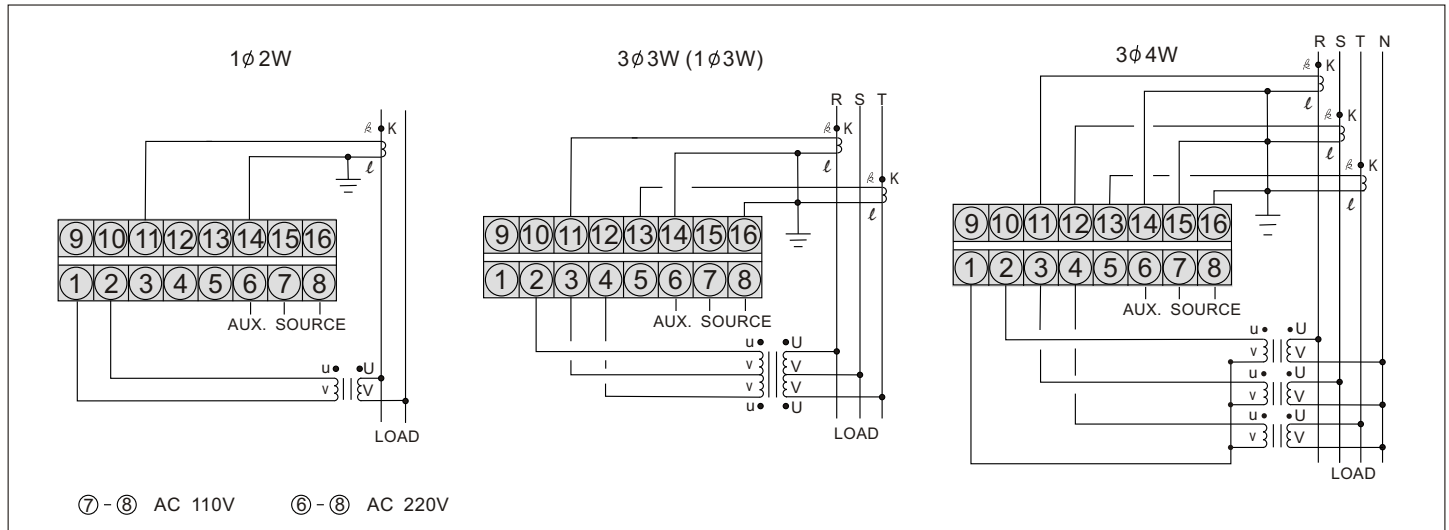
ORDERING INFORMATION

S2-334R- [] [] [] []

Circuit	Input Voltage	Input Current	Aux. Power Source
12: single phase, 2-wire 13: single phase, 3-wire 33: 3-phase, 3-wire 34: 3-phase, 4-wire	1: AC 110V 2: AC 220V 3: AC $\sqrt{3}$ 110V/110V 4: AC $\sqrt{3}$ 220V/220V 0: Option	A: AC 5A B: AC 1A O: Option	1: AC 110V/220V 2: DC 110V 3: DC 48V 4: DC 24V 0: Option

CONNECTION DIAGRAMS

Figure G.



OUTSIDE DIMENSION (UNIT:mm)

Figure 02.

● PANEL CUT-OUT

