

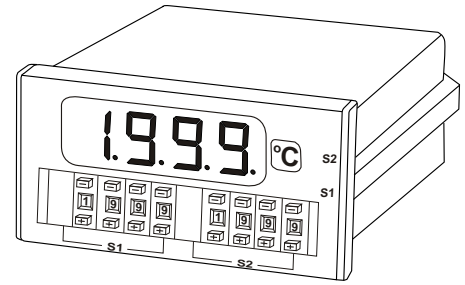


# DIGITAL TEMPERATURE METER RELAY

MODEL  
S2-312TA

## FEATURES

- Accuracy:  $\pm 0.25\%$  F.S.
- SPDT relay contact output
- Easy-to-wire. screw-type terminals
- Cold junction compensated
- J、K、T、E、R thermocouple selection
- Outside dimension is DIN standard (96x48mm)



## SPECIFICATION

### • Direction Input

Input Mode		Measuring Range	Resolution
T/C	K	-200 ~ 1200°C	1°C
		-328 ~ 1999°F	1°F
	J	-200 ~ 754°C	1°C
		-328 ~ 1390°F	1°F
	T	-200 ~ 400°C	1°C
		-328 ~ 752°F	1°F
	E	-200 ~ 999°C	1°C
		-328 ~ 1830°F	1°F
	R	0 ~ 1600°C	1°C
		0 ~ 1999°F	1°F
RTD	Pt-100	-200 ~ 850°C	1°C
		-328 ~ 1562°F	1°F
		-199.9 ~ 199.9°C	0.1°C
		-199.9 ~ 199.9°F	0.1°F

Accuracy.....  $\pm 0.25\%$  F.S.  $\pm 1$  digit  
(Option: Depending on actual measuring)

Sampling time..... Abt. 0.8 sec. typically

Over input indication..... "display flash"

Aux. power source..... AC 110V/220V  $\pm 10\%$ , 50/60Hz  
DC 24V, 48V, 110V  $\pm 15\%$

Power consumption.....  $\leq$  AC 4VA

Control mode..... Hi & Lo, S2 = Hi, S1 = Lo  
Hi & HiHi, S1 = Hi, S2 = HiHi  
LoLo & Lo, S1 = LoLo, S2 = Lo

Setting range..... 0 ~ 1999

Output..... SPDT relay contact, AC 110V, 220V, DC 24V, 3A

Operating temperature range..... 0~60°C

Storage temperature range..... -10~70°C

Temperature coefficient.....  $\leq 100\text{PPM}/^\circ\text{C}$

Max. relative humidity..... 95%

Dielectric strength (IEC 688) ..... AC 2KV/1 minute  
Input / power / output terminals  
AC 3KV/1 minute  
All terminals to case

Impulse (IEC 255-4)..... Common mode 1.2 x 50 $\mu$ S 4 KV

Display..... 14.2mm (0.56") H, red LED

Polarity display..... Only "-" display

Connection diagram..... See next page, figure F.

Dimensions ..... See next page, figure 02.

## ORDERING INFORMATION

S2-312TA-

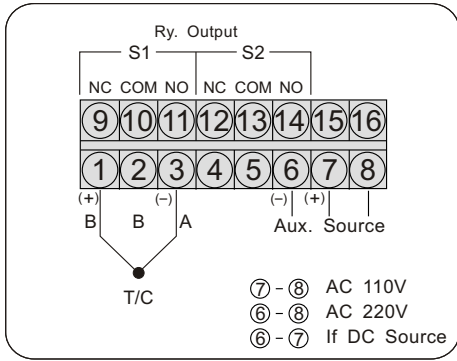
Control Mode	Type	Measuring Range		Aux. Power Source
1: Hi	1: K TYPE	A: -100 ~ 400°C	H: 0 ~ 200°C	1: AC 110V/220V
2: Hi-Lo	2: J TYPE	B: -50 ~ 100°C	I: 0 ~ 300°C	2: DC 110V
3: Hi-HiHi	3: T TYPE	C: -50 ~ 50°C	J: 0 ~ 400°C	3: DC 48V
4: LoLo-Lo	4: E TYPE	D: -100 ~ 50°C	K: 0 ~ 1000°C	4: DC 24V
	5: R TYPE	E: -10 ~ 100°C	L: 0 ~ 1200°C	0: Option
	6: Pt100	F: 0 ~ 50°C	M: 0 ~ 1400°C	
	7: Option	G: 0 ~ 100°C	O: Option	

### • EXAMPLE

Input mode : K type  
 Input temperature : 0~1200°C  
 Control mode : Hi-Lo  
 Aux. power source : AC 110/220V  
 Ordering model : S2-312TA-21L1

# CONNECTION DIAGRAMS

Figure F.



# OUTSIDE DIMENSION (UNIT:mm)

Figure 02.

● PANEL CUT-OUT

