

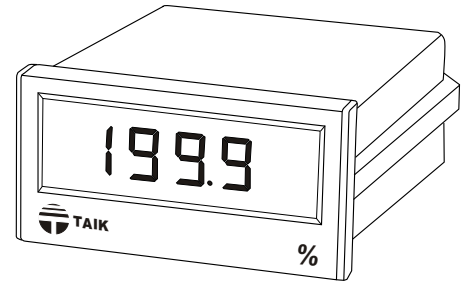


3 1/2 DIGITAL METER (PROGRAMMABLE)

MODEL
S2-312PR

FEATURES

- 3 1/2 display: 1999
- Accuracy: $\pm 0.1\%$ to $\pm 0.25\%$
- Easy-to-wire. screw-type terminals
- Outside dimension is DIN standard (96x48mm)
- Low unit cost

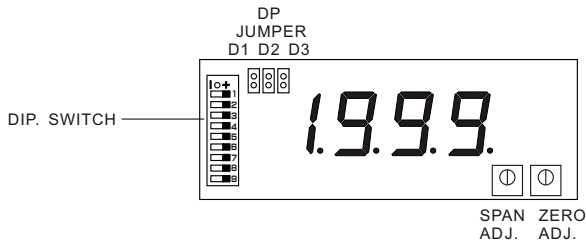


SPECIFICATION

• Input

Variable to be Measured	Input Range	Input Impedance	Display Range
DC	0 ~ 5V	$\geq 1M\Omega$	0 ~ 1999 Programmable
	1 ~ 5V	$\geq 1M\Omega$	
	0 ~ 10V	$\geq 1M\Omega$	
	0 ~ 1mA	100 Ω	
	4 ~ 20mA	10 Ω	
	0 ~ 20mA	10 Ω	
AC	0 ~ 1A	0.1 Ω	0 ~ 1999 Programmable
	0 ~ 5A	0.1 Ω	
TRMS	0 ~ 110V	$\geq 1M\Omega$	0 ~ 1999 Programmable
	0 ~ 220V	$\geq 1M\Omega$	

• Display (Programmable process)



STAGE	Display (Full Scale)	PIN								
		1	2	3	4	5	6	7	8	9
1	1280	+	-	-	-	-	-	-	-	-
2	640	-	+	-	-	-	-	-	-	-
3	320	-	-	+	-	-	-	-	-	-
4	160	-	-	-	+	-	-	-	-	-
5	80	-	-	-	-	+	-	-	-	-
6	40	-	-	-	-	-	+	-	-	-
7	20	-	-	-	-	-	-	+	-	-
8	10	-	-	-	-	-	-	-	+	-
9	5	-	-	-	-	-	-	-	-	+

*DIP Switch is +, Off, - three mode, don't setting "Off"

- Display 14.2mm (0.56") H, red LED
- Max. Input over capability Amp. 3 x rated continuous
10 x rated 30 seconds
50 x rated 1 seconds
Volt. 750V continuous
- Accuracy DC range $\pm 0.1\%$ F.S. ± 1 digit
AC range $\pm 0.25\%$ F.S. ± 1 digit
(Option: Depending on actual measuring)
- Measuring mode Dual Slope
- Sampling time Abt. 0.8 sec. typically
- Frequency range 45~400Hz for AC range
- Over input indication "1"
- Polarity Only "-" display
- Aux. power source AC 110V/220V $\pm 10\%$, 50/60Hz
DC 24V, 48V, 110V $\pm 15\%$
- Power consumption \leq AC 3VA, \leq DC 3W
- Operating temperature range 0~60°C
- Sensor power supply DC 12V or 24V, 30mA
(Option function)
- Storage temperature range -10~70°C
- Temperature coefficient ≤ 100 PPM/°C
 ≤ 60 PPM/°C, 25°C+10°C
- Max. relative humidity 95%
- Dielectric strength (IEC 688) AC 2KV/1 minute
Input to power terminals
AC 3KV/1 minute
All terminals to case
- Impulse (IEC 255-4) Common mode 1.2 x 50 μ S 4 KV
- Connection diagram See next page, figure A.
- Dimensions See next page, figure 01.

ORDERING INFORMATION

S2-312PR-

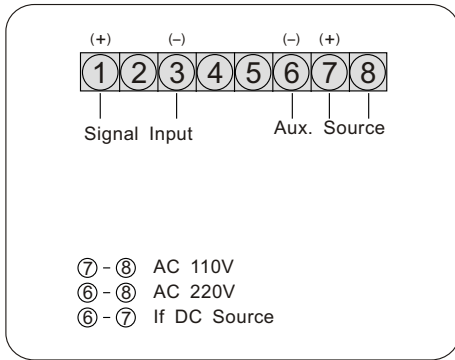
Input Signal	Measuring Range	Aux. Power Source
D: DC A: AC T: TRMS	P1: 0~50mV A7: 0~1A P2: 0~60mV A8: 0~5A P3: 0~5V V6: 0~110V P4: 1~5V V7: 0~220V P5: 0~10V 00: Option P6: 0~1mA P7: 4~20mA P8: 0~20mA	1: AC 110V/220V 2: DC 110V 3: DC 48V 4: DC 24V 0: Option

• EXAMPLE

- Measured range : DC 4~20mA
- Display : 0~100.0%
- Aux. power source : AC 110V/220V
- Ordering model : S2-312PR-DP71
- Programmable : 0~100.0%
- Display range

CONNECTION DIAGRAMS

Figure A.



OUTSIDE DIMENSION (UNIT:mm)

Figure 01.

● PANEL CUT-OUT

