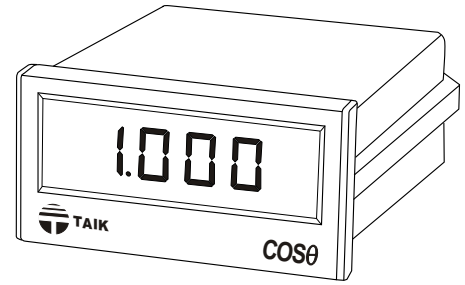




FEATURES

- Resolution 0.001 COSθ, 0.1°
- Precision measurement even for unbalance system
- Easy-to-wire. screw-type terminals
- Outside dimension is DIN standard (96x48mm)



SPECIFICATION

Model: S2-312P for Power Factor Meter
S2-312U for Phase Angle Meter

INPUT

Circuit	AC Input		Display
	Voltage	Ampere	
Single Phase	110V	5A	-0.5 ~ 1 ~ 0.5 (COS θ)
	220V		
3-Phase, 3-Wire	110V		or -60° ~ 0 ~ 60° (Φ)
	220V		
3-Phase, 4-Wire	$\sqrt{3}$ 110V/110V		
	$\sqrt{3}$ 220V/220V		

Display 14.2mm (0.56") H, red LED
Max. Input over capability Amp. 3 x rated continuous
 10 x rated 30 seconds
 50 x rated 1 seconds
 Volt. 750V continuous
Accuracy ± 0.5% F.S. ± 0.3°
 (Option: Depending on actual measuring)
Measuring mode Transducer type
Input burden Volt. input ≤ 0.5VA/Phase
 Amp. input ≤ 0.1VA/Phase
Input frequency range 50, 60, 400HZ
Sampling time Abt. 0.8 sec. Typically

Polarity "-" is LEAD side
 Bank is LAG side
Aux. power source AC 110V/220V ± 10%, 50/60Hz
 DC 24V, 48V, 100V ± 15%
Power consumption ≤ AC 4.5 VA
Operating temperature range 0 ~ 60°C
Storage temperature range -10 ~ 70°C
Max. relative humidity 95%
Dielectric strength (IEC 688) AC 2KV/1 minute
 Input to power terminals
 AC 3KV/1 minute
 All terminals to case
Impulse (IEC 255-4) Common mode 1.2 x 50μS 4 KV
Connection diagram See next page, figure G.
Dimensions See next page, figure 02.

ORDERING INFORMATION

S2-312P- [] [] [] [] []

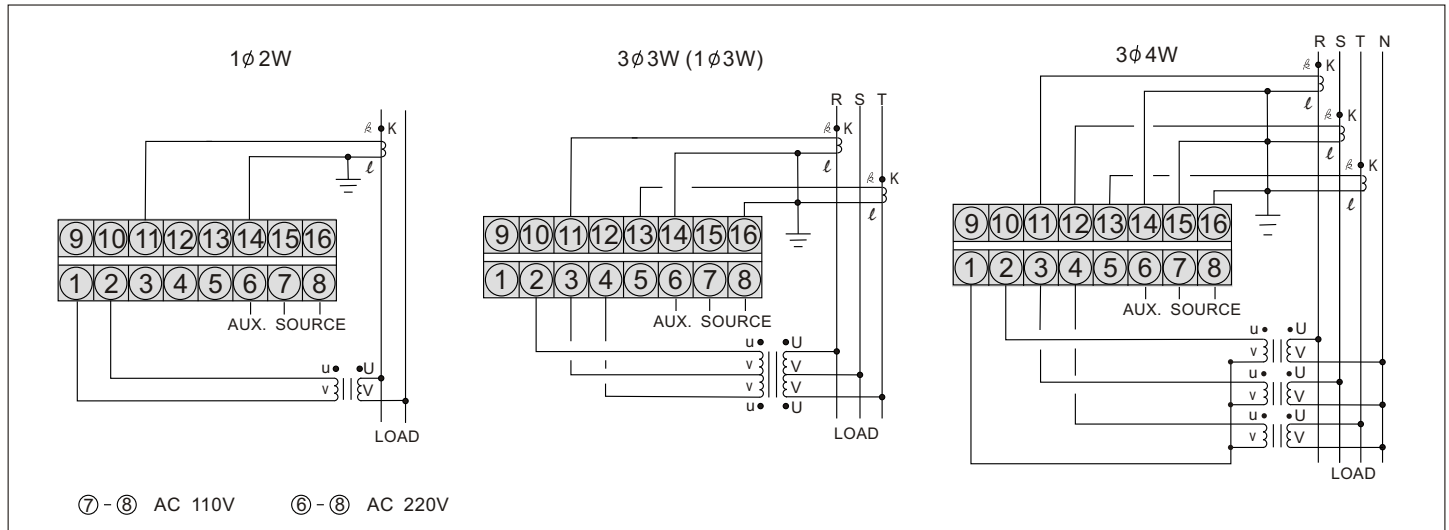
Circuit	Input Voltage	Input Current	Input Frequency	Aux. Power Source
12: single phase, 2-wire 33: 3-phase, 3-wire 34: 3-phase, 4-wire	1: AC 110V 2: AC 220V 3: AC $\sqrt{3}$ 110V/110V 4: AC $\sqrt{3}$ 220V/220V 0: Option	A: AC 5A B: AC 1A O: Option	5: 50HZ 6: 60HZ 7: 400HZ 0: Option	1: AC 110V/220V 2: DC 110V 3: DC 48V 4: DC 24V 0: Option

S2-312U- [] [] [] [] []

Circuit	Input Voltage	Input Current	Input Frequency	Aux. Power Source
12: single phase, 2-wire 13: single phase, 3-wire 33: 3-phase, 3-wire 34: 3-phase, 4-wire	1: AC 110V 2: AC 220V 3: AC $\sqrt{3}$ 110V/110V 4: AC $\sqrt{3}$ 220V/220V 0: Option	A: AC 5A B: AC 1A O: Option	5: 50HZ 6: 60HZ 7: 400HZ 0: Option	1: AC 110V/220V 2: DC 110V 3: DC 48V 4: DC 24V 0: Option

CONNECTION DIAGRAMS

Figure G.



OUTSIDE DIMENSION (UNIT:mm)

Figure 02.

● PANEL CUT-OUT

