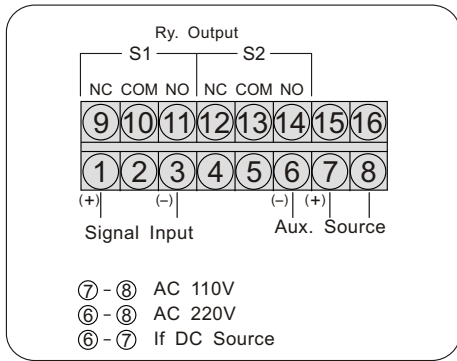


CONNECTION DIAGRAMS

Figure D.



OUTSIDE DIMENSION (UNIT:mm)

Figure 02.

• PANEL CUT-OUT

