

MODEL	<b>MODEM LINE USE ARRESTER</b>
MAR-TM	



This product is manufactured to protect site instruments and precision instruments from threatened disaster factor such as surge, high-voltage noise and lightning applied to the data modem signal transmitting lines of various magnetic field instruments.

#### ■ FEATURES

Small size(mm) : 99(H), 25(W), 61(D).  
Case & color : black ABS plastic case.  
Weight : about 80g.

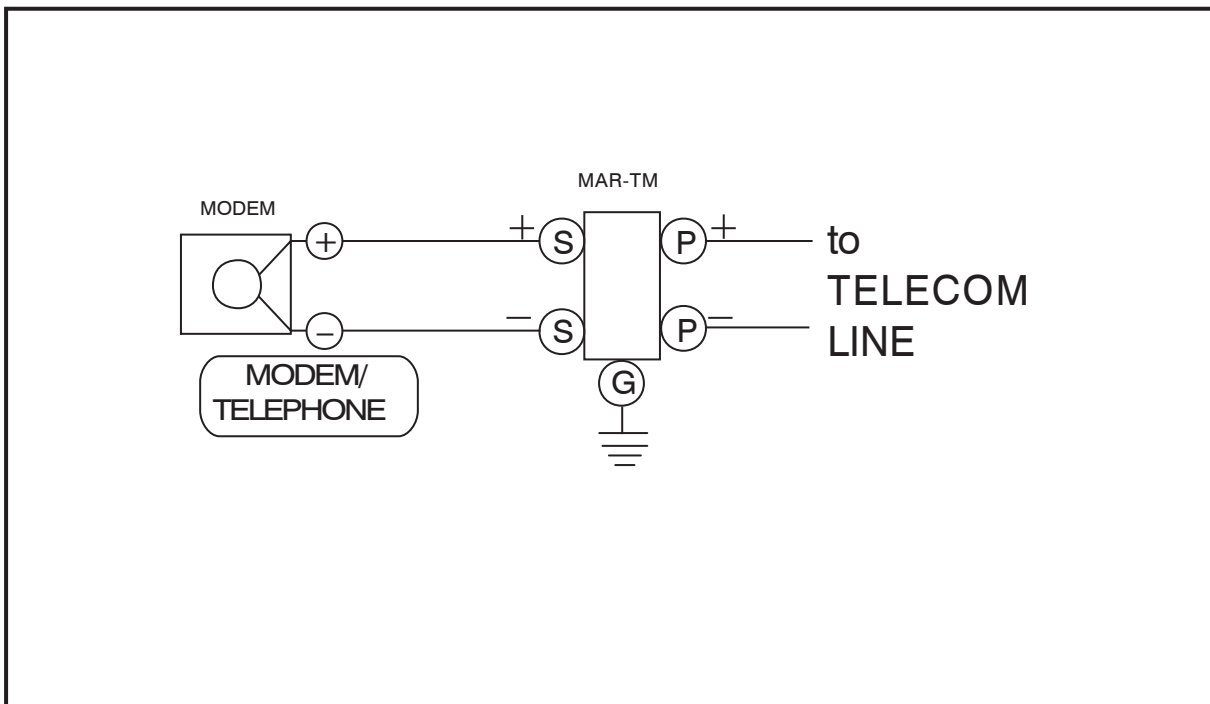
#### ■ INSTALLATION

Operating temperature : -5~+55°C  
Operating humidity : 90%RHmax.(non condensing)  
Mounting : channel mount (rail type)

#### ■ MODEL & SPECIFICATION CODE

- MODEL : MAR-TM
- Discharge voltage  
between lines : 270V/DC or more  
between line & GND : 350V/DC maximum
- Max. surge voltage  
between lines : 650V maximum
- Response time : 0.1microseconds or less
- Discharge current : 10 KA (8X20 microseconds)
- Max. load current : 500mA
- Internal series resistance : approx. 0.1ohm
- Permissible leakage current  
between lines : 100  $\mu$ A or less (at 160V DC)  
between line & GND : 100  $\mu$ A or less (at 160V DC)

#### ■ CONNECTION DIAGRAM

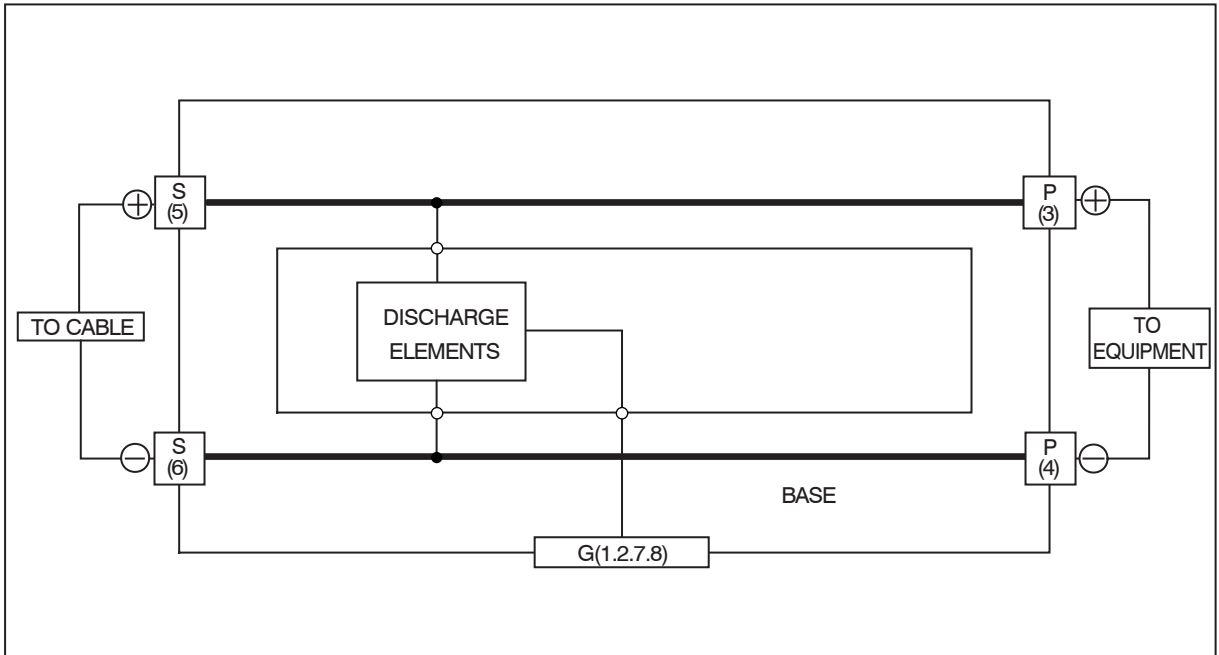


# MODEM LINE USE ARRESTER

MODEL

MAR-TM

## ■ SCHEMATIC CIRCUITRY



## ■ EXTERNAL DIMENSION

DIMENSIONS (mm)

